

DESK 3.0

Bruno Fattorini - Francesco Bettoni - Centro progetti MDF Italia

2015



Family of workstations composed of aluminium frame and HPL tabletop, either in black or white.

Monochrome tables are complete with inspectionable raceway for wiring and cable access spring. The following versions are available:

- single version (desktop) with cable management tabletop
- double version (with front seats) with cable management tabletop

Accessories available for workstations:

- cable management door
- PC holder
- Soundproofing and partition screens
- Penholder and object holder
- Chest of drawers

SINGLE DESKS AND DESKS WITH FRONT SEATS WITH CABLE MANAGEMENT

80 and 90 cm wide and 160, 180, 200, 220 cm long tables (in single version), equipped with socket holder raceway and cable management spring. In the front seat version, the table's width still accounts for 180 cm, while lengths account for 160, 180, 200, 220 and 320 cm. All of the variants are equipped with central leg to ensure the whole structure a better stability, while assembly is optional depending on use and workplace. The closing tabletop for cable management, in the same material of the top, can be easily removed so as to access and/or inspect wiring. It is equipped with a soft gasket that allows cables to pass. Moreover it adds a graphical and essential sign to the workstation's top.

Frame

Frame and legs, 45x45 cm section, are in epoxy coated aluminium either in white or graphite grey colours. Concealed joint. Socket holder raceway made from 1,5 mm thick bent steel plate and complete with an epoxy coated equipment-supporting bar in white and graphite grey.

Socket holder raceway is 140 cm long.

Tops

Cable management tops and tabletops in HPL: high-pressure melamine laminate, with structural aluminium sheets inside. 8 mm thick. Black or white, according to the frame. Built-in tabletops, with excellent stability and flatness, no fittings required.

Cable management gasket

Soft core in long-lasting polyurethane foam. Protective external film made of polyethylene and polypropylene insert that prevents it from stretching or narrowing. Ability to recover the original shape following a compression action. Compatible with cleaning agents. Black or white, matching the top's finish.

Cable management door

The application of the door can be ordered in addition to the tabletop. As for the position and type of configuration, please check page 29 of the price list.

The door's overall size accounts for 30x9.5 cm. It is complete with socket holder box (useful interior space L28 P8, 5 H 9.5 cm). It is made of epoxy coated aluminium (white or graphite grey) with flap and cable access gasket.

c

For the workstations equipped with cable management door, the door's left/right position can be decided/changed during assembly.

Accessories for workstations

• PC HOLDER

52 cm depth, H55 and L21 cm. Made from 1,5 mm thick bent steel plate.

The PC holder cannot be mounted below the cable management door.

• CHESTS OF DRAWERS CONTRACT

Drawer pedestal created in order to meet top quality and safety requirements. In conformity with DIN and GS safety standards.

Two types are available:

- 3 drawer chest of drawers with lock, complete with stationery drawer, with wheels and anti-tilt system
- 1 drawer chest of drawer and 1 filing unit with lock, complete with stationery drawer, with wheels and anti-tilt system

Both types are available either in white or graphite grey, with the same colour inside the drawers. Wheels are hidden and pirouetting, the anti-tilt ballast is in concrete.

Roller bearing slides 80% extension. Selective opening system. Central locking device with bending key and extractable barrel.

• SOUNDPROOFING SCREENS

Double-sided acoustic soundproofing screens, that are 160, 180, 200 and 220 cm long and 45 mm thick. Made of polyester fibre, with steel outer frame, fully coated with Trevira fireproof fabric (either red or grey*) to be positioned either resting or fixed on the desk, by means of special support metal plates, painted in white or graphite grey.

The soundproofing screen line is dedicated to the acoustic partitioning of workstations, as well as to reverb management and sound comfort in working environments.

R'w sound insulation accounting for 20 dB(A), and approximately accounting for 30 dB(A).

• SOUNDPROOFING SCREENS ACCESSORIES

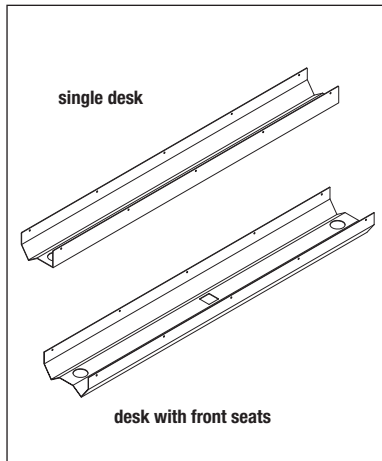
A range of three accessories to equip/customise the soundproofing screens is available, through a simple coupling:

- Pen holder, L10 P10.5 H19.3
- Horizontal shelf, L50 P12.8 H10
- Vertical shelf, L22 P12.8 H30.5

All of the accessories are made of epoxy coated steel sheet either in white or in graphite grey.

DESK 3.0

detail raceway for cable



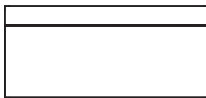
Monochrome tables are complete with inspectionable raceway for wiring and cable access spring. The following versions are available:

- single version (desktop) with cable management tabletop
- double version (with front seats) with cable management tabletop

detail cable management top

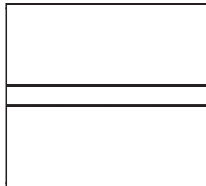


SINGLE DESKS

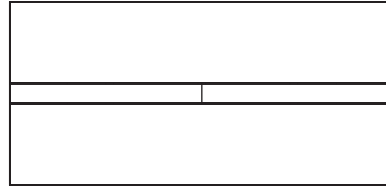


with cable management top

DESKS WITH FRONT SEATS

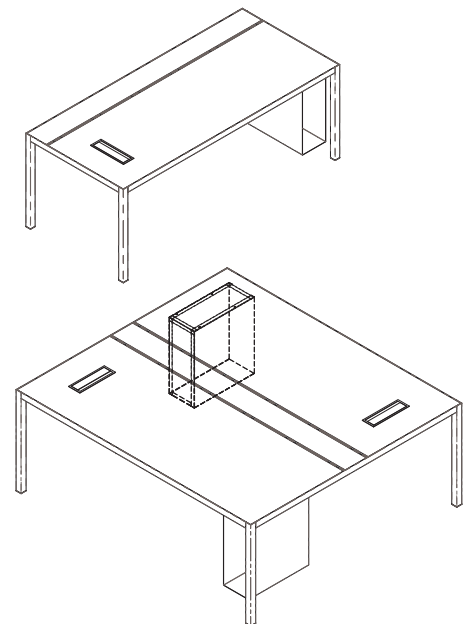
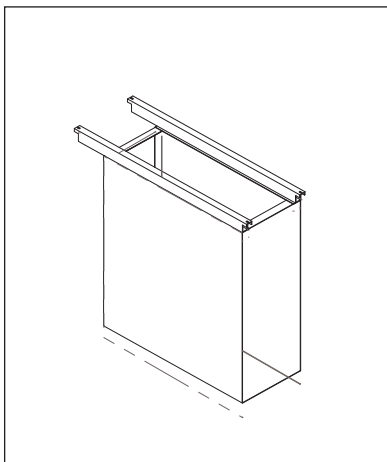


with cable management top



with two cable management tops

detail PC holder

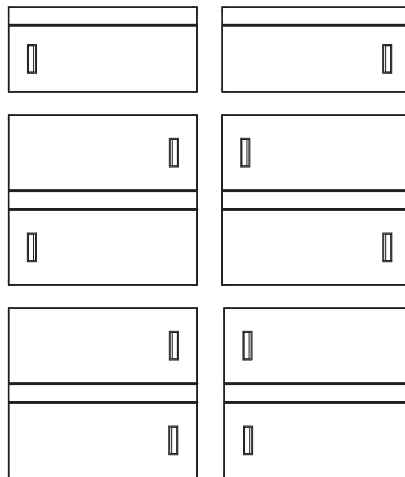


N.B. The PC holder cannot be mounted below the cable management door

DESK 3.0

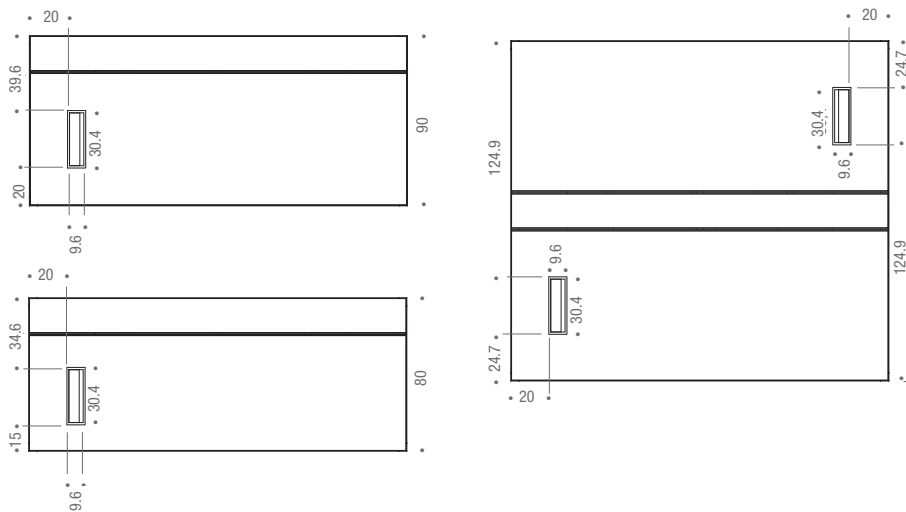


Left and right cable management door configuration has been designed for use with notebook.

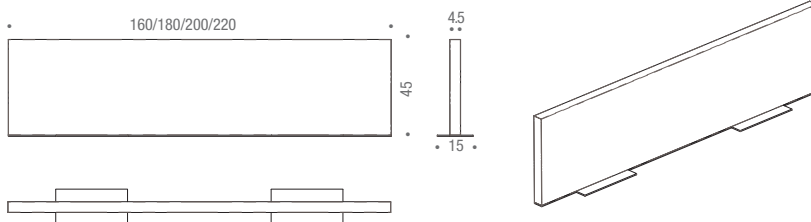


Configurations

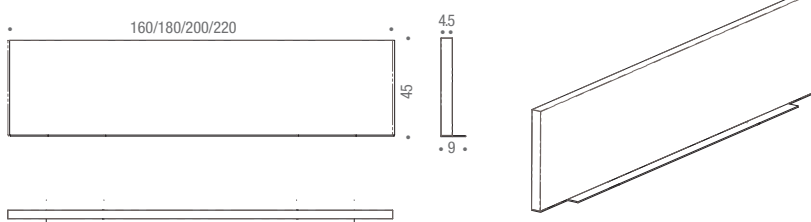
Cable management door position



SOUNDPROOFING SCREENS resting



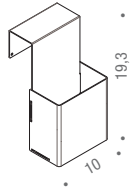
SOUNDPROOFING SCREENS fixed on the desk



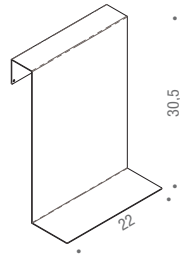
DESK 3.0

SOUNDPROOFING SCREENS ACCESSORIES

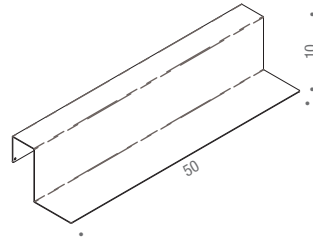
PEN HOLDER



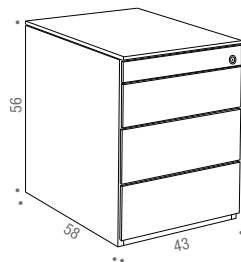
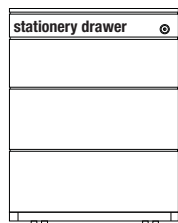
HORIZONTAL SHELF



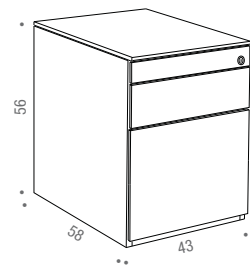
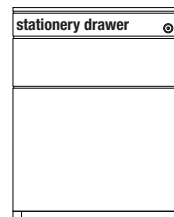
VERTICAL SHELF



CHESTS OF DRAWERS



THREE DRAWERS + stationary drawer



DRAWER + FILING UNIT + stationary drawer