

---

# Caratos

CHAIRS

*Antonio Citterio*



## Description

The Caratos range has grown and is ever expanding - providing a rich collection of ideas for the most diverse environments. The common thread of each piece is their recognisable die-cast aluminium base. In addition to the chairs and armchairs presented in 2017, Caratos presents a small armchair with armrest, an armchair, a tub armchair, two stools with swivel seats, a bench, an ottoman and a coffee table. The graphite and amber metal frames are accompanied by blue, amaranth, and cream painting, which complement the fabric covers. Noteworthy is the introduction of a soft, deep pile wool velvet that creates a "teddy bear" effect. With this new collection, Caratos proves to be a group of flexible products that will reveal new future surprises.

---

## Technical information

### Shell

polypropylene

### Shell upholstery

Bayfit® flexible cold shaped polyurethane foam

### Support frame

die-cast magnesium

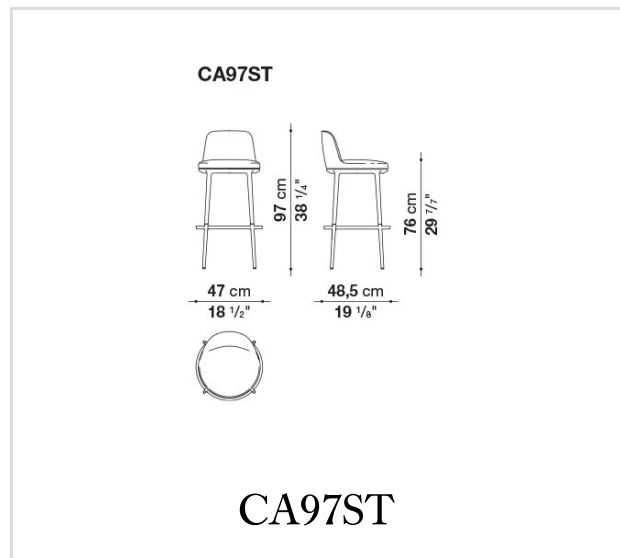
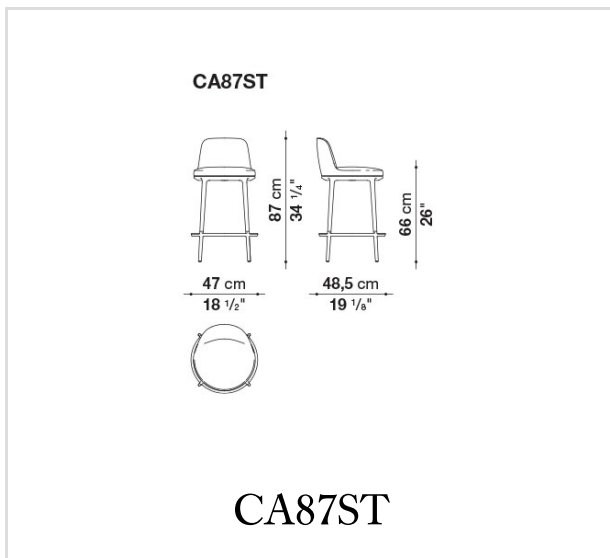
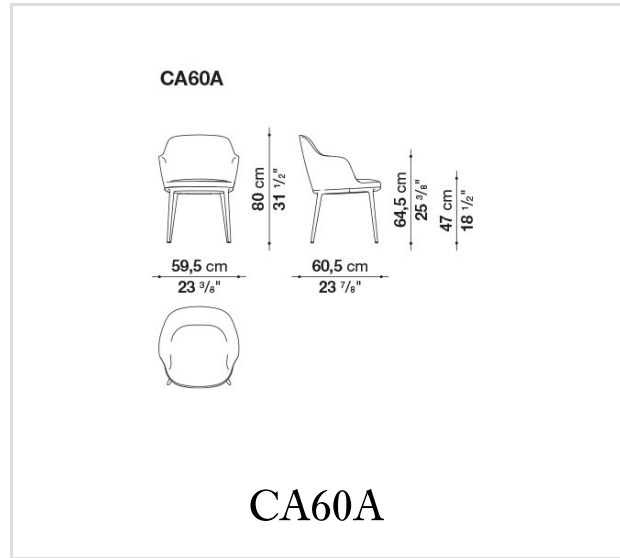
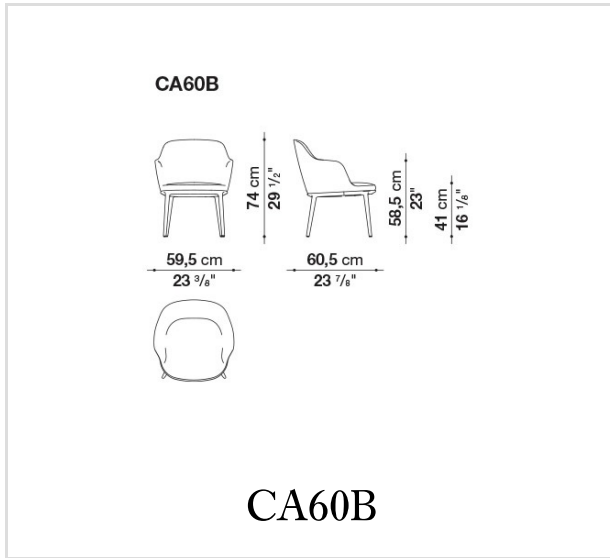
### Ferrules

plastic material

### Cover

fabric or leather

# Technical drawings



B&B Italia reserves the right to make technological and aesthetic improvements to its models, including changes to the sizes and materials, without notice. The technical drawings do not define the details of the product. The measurements shown are indicative and may undergo changes. In particular, the dimensions relevant to the padded parts are subject to usage tolerances over time caused by the normal adjustment of the padding. For the specific information, please contact the dealer closest to you.