

Eileen writing-desk

COMPLEMENTS

2004

Antonio Citterio



Description

Curved wood top, also covered in thick leather, steel structure and practical drawers are the distinctive elements of the Eileen writing desk. Available in two sizes and numerous finishes, it is also proposed in the version with cable glands for functional and refined home office stations.

Technical information

Top

veneered multi-layered wood panel or thick leather

Support frame

drawn steel

Drawer

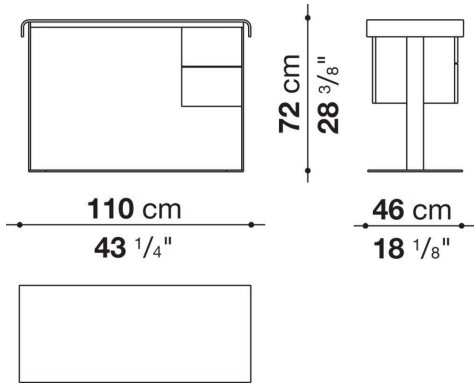
wood particles panel with parts in veneered solid wood

Cable flap lid

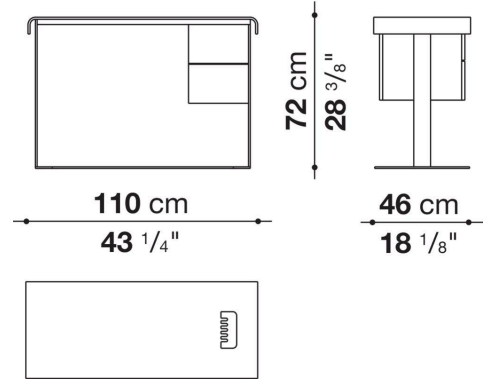
stainless steel sheet

Technical drawings

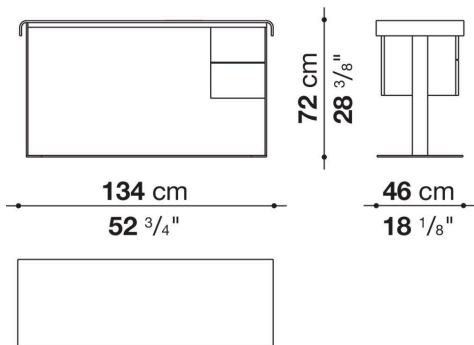
SE110



SE110_P



SE134



SE134_P

