

---

# Papilio

BEDS

*Naoto Fukasawa*



## Description

A continuous single material shape with detailed proportions. Aesthetics have been brilliantly solved, as with the armchairs, compared to which the conical shape has been slightly reduced but it has been taken up in the design of the side. The mattress is placed almost flush with the perimeter to enhance the overall rigour.

---

## Technical information

### Internal frame:

tubular steel and steel profiles

### Internal frame upholstery:

Bayfit® (Bayer®) flexible cold shaped polyurethane foam, polyester fibre cover

### Feet:

steel and plastic material

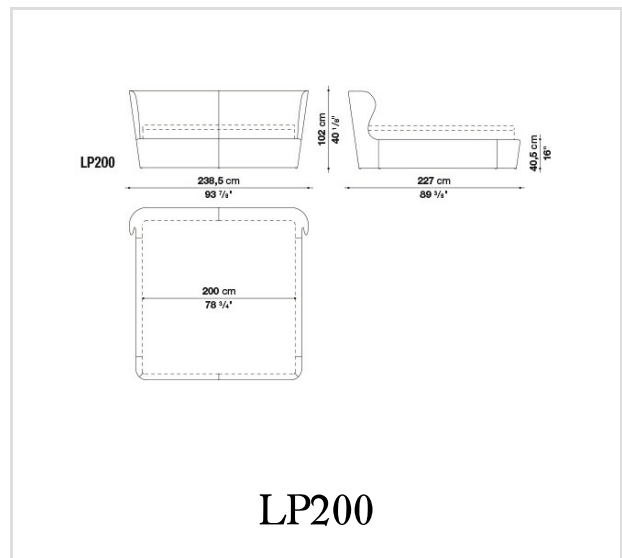
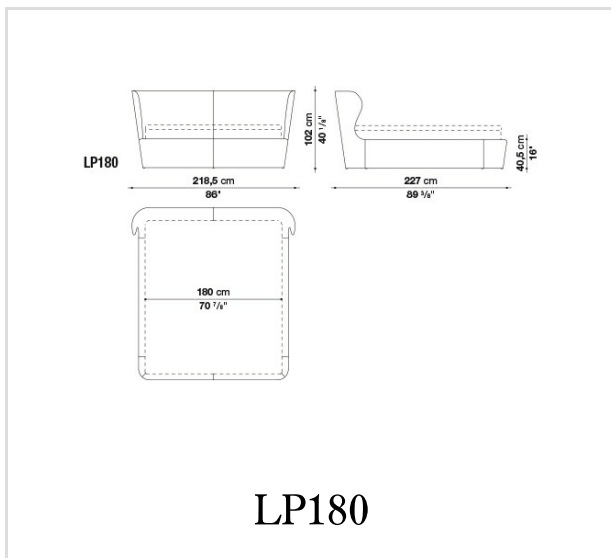
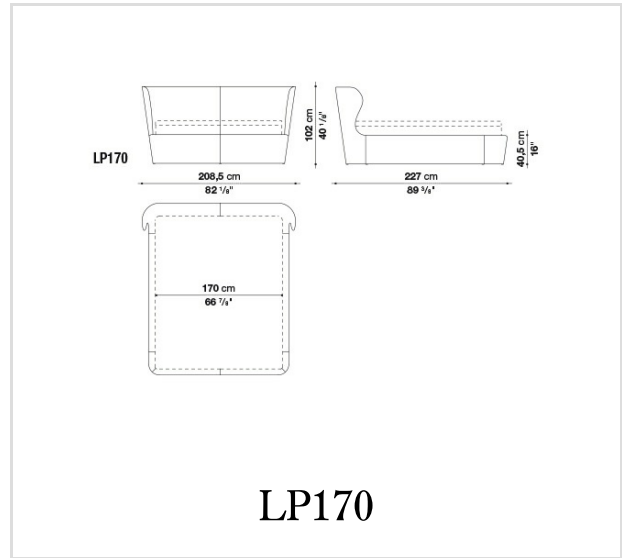
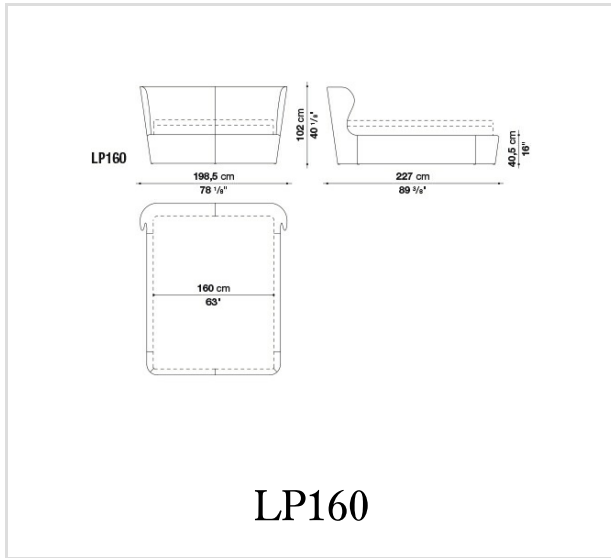
### Support crosspieces for slatted base:

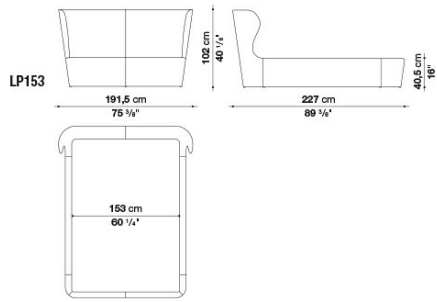
painted tubular steel

### Cover:

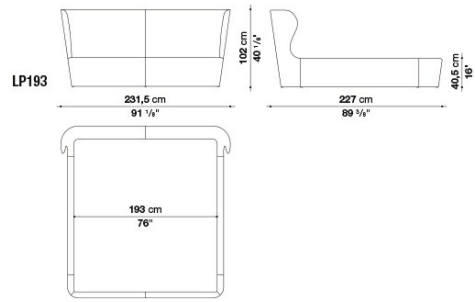
fabric or leather in limited categories

# Technical drawings

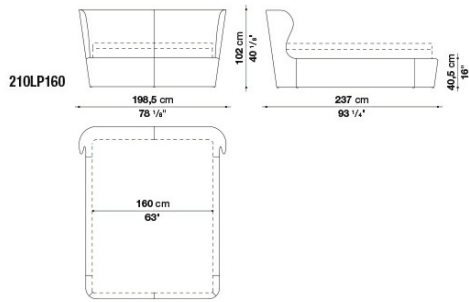




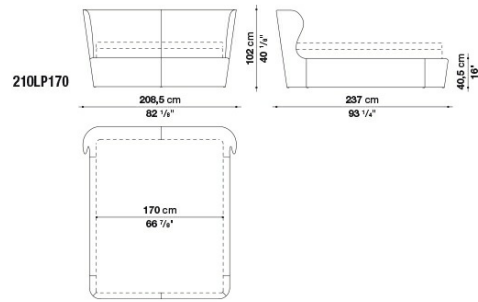
LP153



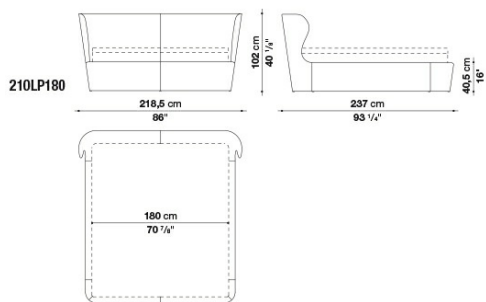
LP193



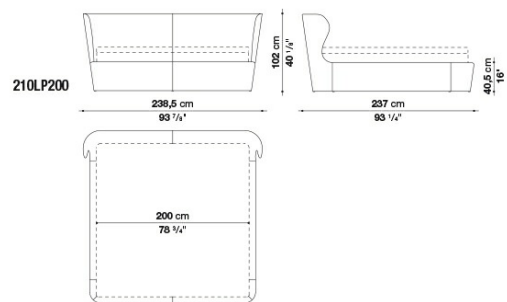
210LP160



210LP170



210LP180



210LP200

---

B&B Italia reserves the right to make technological and aesthetic improvements to its models, including changes to the sizes and materials, without notice. The technical drawings do not define the details of the product. The measurements shown are indicative and may undergo changes. In particular, the dimensions relevant to the padded parts are subject to usage tolerances over time caused by the normal adjustment of the padding. For the specific information, please contact the dealer closest to you.