
Dock

SMALL TABLES

Piero Lissoni



Description

The Dock system is accompanied by a series of complementary elements. A large low table in two sizes becomes a generously sized platform. Rectangular or square, it has the same design and finish as the sofa base Canaletto walnut, light, grey, black and smoked oak.

Technical information

Top

veneered multi-layered wood panel, solid wood

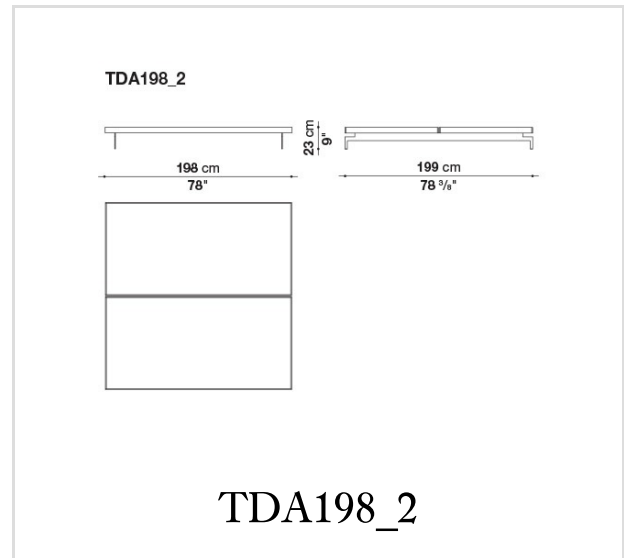
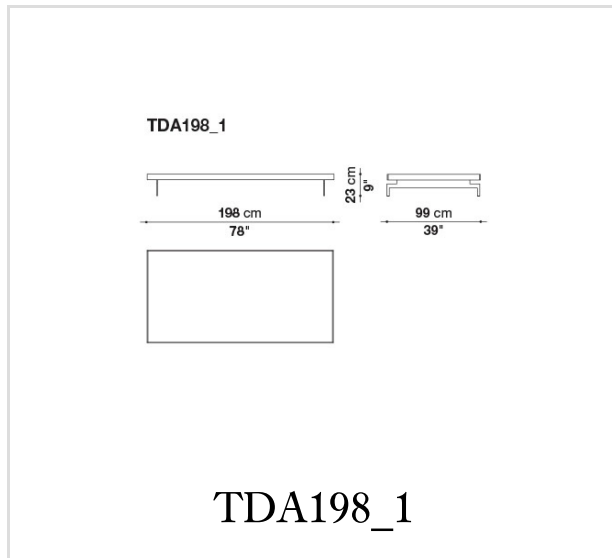
Support frame

steel profiles

Ferrules

plastic material

Technical drawings



B&B Italia reserves the right to make technological and aesthetic improvements to its models, including changes to the sizes and materials, without notice. The technical drawings do not define the details of the product. The measurements shown are indicative and may undergo changes. In particular, the dimensions relevant to the padded parts are subject to usage tolerances over time caused by the normal adjustment of the padding. For the specific information, please contact the dealer closest to you.