

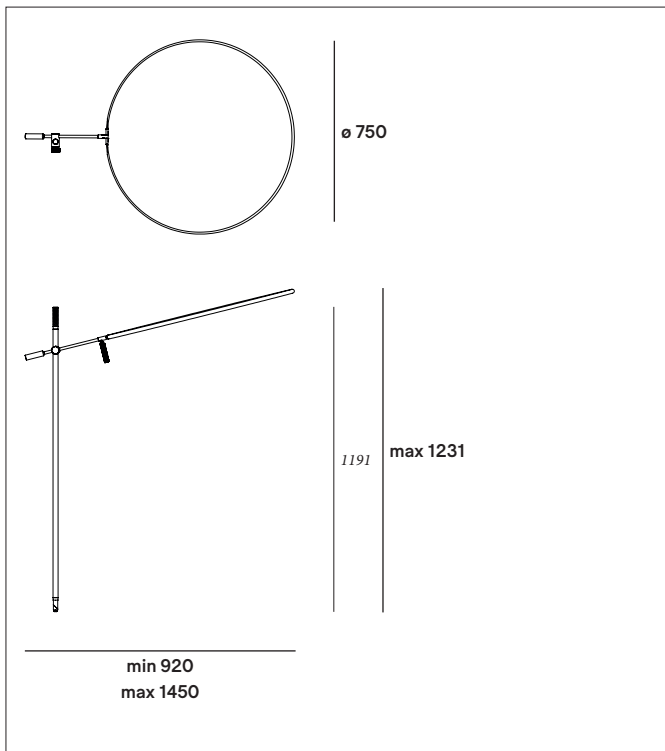
Sol+Luna parasol

© design by Dirk Wynants

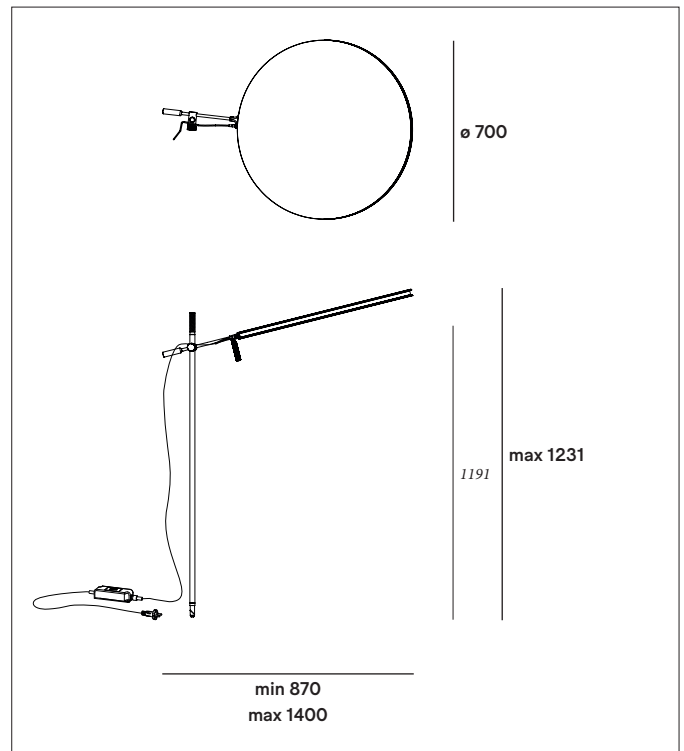
Flat parasol
Parasol with light



Flat parasol



Parasol with light



BOX 1: FABRIC WITH SLIDING SYSTEM & POWER SUPPLY + COVER



PLASTIC BAG 1: TUBE

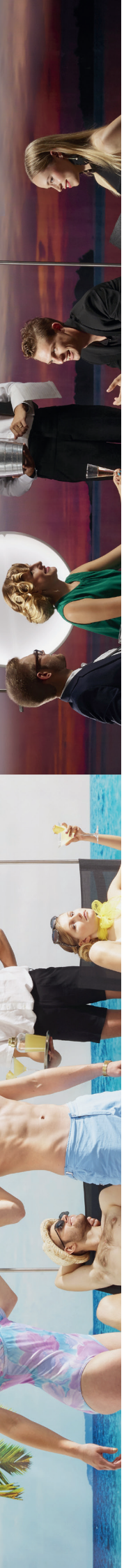


Box dimensions (mm)		L	W	H	Qty (#)	Volume (m ³)	Gross weight (kg)	Net weight (kg)	Packaging weight (kg)
Parasol	Box 1	790	790	52	1	0,03	2,87	1,29	1,58
	Bag 1	1250	20	20	1	0,01	1,16	1,06	0,10
					total:	0,04	4,03	2,35	1,58
Parasol with light	Box 1	790	790	52	1	0,03	4,55	2,97	1,58
	Bag 1	1250	20	20	1	0,01	1,16	1,06	0,10
					total:	0,04	5,71	4,03	1,58

extremis®

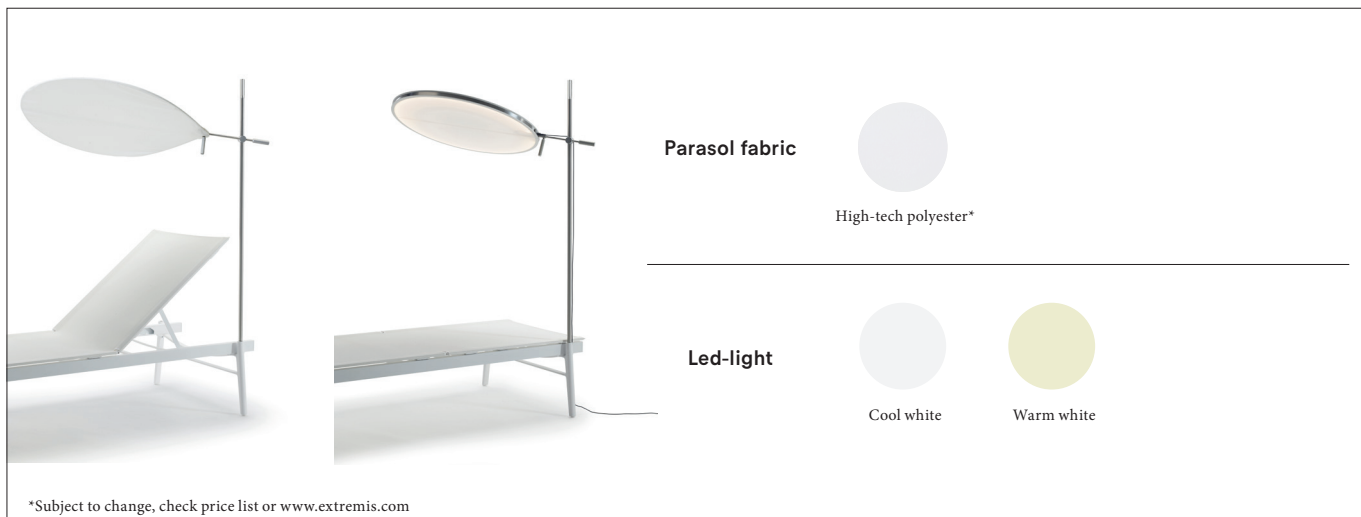
The content of this document, in particular the mentioned models, is protected by copyrights and/or design rights. The present document and its content is communicated to you for information purposes only. Any partial or total reproduction or any other use without our prior written permission is strictly prohibited. This technical sheet remains subject to possible changes. **All dimensions are in mm**, unless mentioned otherwise. Extremis is not responsible for the errors in the documentation of products. All measurements are approximate and are provided for informational purposes only.

Tech sheet
20200311



Tools for togetherness

Materials & colors



*Subject to change, check price list or www.extremis.com

Materials	Key facts	Thickness mm	Layer thickness micron	Density	In/outdoor	Water	UV colour fastness	Flame retarding
High-tech polyester parasol fabric	<ul style="list-style-type: none"> High UV resistance and ultra strong Low weight / high tear strength Long-term appearance 	0,37	n.a.	250 g/m ²	Outdoor & indoor	The fabric has a water column of 350 mm (EN 2081)	7/8 (ISO 105-B02)	/
LED	<ul style="list-style-type: none"> Colour temperature of 4500K (cool white) or 3000K (warm white) 9,6 W 24 V 	n.a.	n.a.	n.a.	Outdoor & indoor	IP67	/	/
Power supply	<ul style="list-style-type: none"> 100 - 240 V 50 - 60 Hz DC24V 2500mA IP68 	n.a.	n.a.	n.a.	Outdoor & indoor	IP68	/	/
Stainless steel tube AISI 316	<ul style="list-style-type: none"> High rust resistance Periodical maintenance required 	2	n.a.	8,00 10 ³ kg/m ³	Outdoor & indoor	n.a.	Very good	NEN-EN13501-1 A1*
Anodised aluminium handles	<ul style="list-style-type: none"> A process aimed at thickening the existing aluminium oxide layer Thickest layer of protection 	10	50 - 100	2,70 10 ³ kg/m ³	Outdoor & indoor	n.a.	Very good	NEN-EN 13501-1 A1*
Cover	<ul style="list-style-type: none"> 100% polyester Polyurethane coating Breathable, so not 100% waterproof 	0,50	n.a.	240 g/m ²	Outdoor & indoor	Water column of 350mm (EN 20811)	6-8/8 (ISO 105-B02)	/

* NEN-EN13501-1 A1

Class A1 products will not contribute to fire in any stage, including fully developed fire. For this reason, they are assumed to be capable of satisfying all requirements of all lower classes as well.

Warnings

General

- Do not use any sharp tools to open the packaging.
- We strongly advise against using power tools.
- Tripping hazard, mind your step.
- Do not put out cigarettes on the parasol.
- Not graffiti proof.
- To avoid danger of suffocation, keep plastic bags away from babies and children.
- Colours can differ over years and from batch to batch.

Product

- Store the parasol when not in use for a long time as follows, vertically, completely dry and in a dry environment.
- If you are not using the parasol, use the cover to avoid the parasol from getting dirty.
- When not used or in case of strong wind, minimize the

length of the arm.

- Only move the parasol up and down by holding the handles, always secure firmly.

High-tech polyester

- Shake or brush off loose dirt immediately.
- Do not use any aggressive detergents as they will remove the protective coating of the fabric.
- We strongly advise you not to use a high-pressure hose for cleaning.

Stainless steel

- Very good UV colour fastness.
- Flame retarding: NEN-EN13501-1 A1 - Class A1 products will not contribute to fire in any stage, including fully developed fire. For this reason, they are assumed to be capable of satisfying all requirements of all

lower classes as well.

- Watch out, stainless steel isn't entirely rustproof! Be sure to avoid contact with iron objects. If it does show signs of rust, clean with rust remover as quickly as possible.

Anodised aluminium

- Do not use abrasive scouring powders or scourers as they will scratch the surface.
- Colour can fade to some extent when exposed to UV.
- Flame retarding - NEN-EN13501-1 A2-sl - Satisfying the same criteria as Class B for the SBI-test according to EN13823. In addition, under conditions of a fully developed fire these products will not significantly contribute to the fire load and fire growth.
- Dark colors can get very hot in sunny weather.

Applications

Residential: In the city, roof terraces are the most sought-after places. Whether you put a sunbed on a private terrace or beside the swimming pool on the top floor of a hotel, don't you want to be able to use the space it takes up in the evening as well?

Project: on terraces, patios, pools, rooftops, wellness and spa's. What kind of furniture is most suitable next to your pool? Now you have the option of having both sunbathing and lounging furniture at the same time.

Sol+Luna parasol comes in two versions. A version without light and a version with, cool or warm, light.

F.a.q.

Q: Can the parasol stay outdoors?

A: Yes, but we recommend to use a parasol cover.

Q: Do you need to use a parasol cover?

A: Using a cover is strongly recommended for use in most climates around the world. Protect your parasol from polluted rain, bird droppings, dust and heavy winds to avoid marks or stains on the parasol fabric.

Good to know

- The parasol cover is included.
- The connection cable from the light to the driver is 3m.

Maintenance

Find maintenance instructions at the downloads section of extremis.com for:

PARASOL FABRIC

- Shake or brush off loose dirt immediately.
- Spray Extremis Multi Cleaner.
- Use a soft brush and make circular movements.
- Let the suds soak in for a moment.
- Rinse thoroughly to remove all soap residue.
- Simply allow to dry.

Website

www.extremis.com/solluna

How to use

The parasols are fully adjustable: in height, rotatable in all directions, telescopic arm.

