
Bankside

SOFAS

Jasper Morrison



Description

Jasper Morrison, leading designer on the scene of contemporary design, joins the B&B Italia's team of designers with Bankside, a micro edition of seats for the community, originally conceived for the prestigious Tate Gallery of Modern Art in London, designed by the duo Herzog & De Meuron. The Bankside armchair and sofa summarise functional features associated with public use, but their slender profile and high resistance to wear perfectly meet also the demands of domestic settings.

Technical information

Internal frame:

tubular steel and steel profiles

Internal frame upholstery:

Bayfit® (Bayer®) flexible cold shaped polyurethane foam, polyester fibre, polyester fibre cover

Feet:

pewter painted, slate black painted, transparent painted satin die-cast aluminium, covered in grey oak, brushed light oak or smoked stained oak

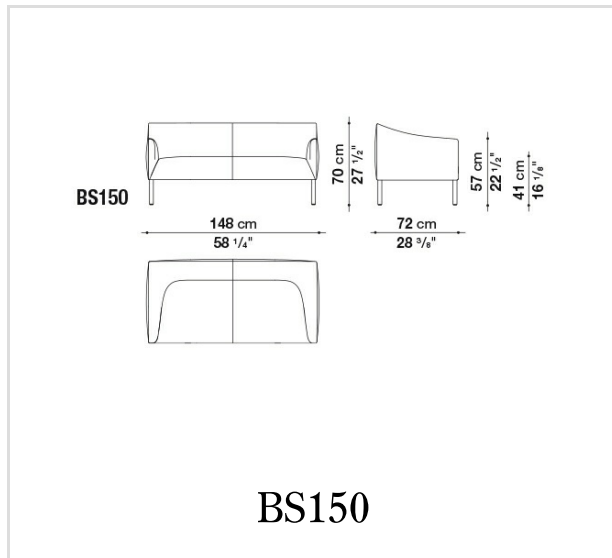
Ferrules:

thermoplastic material

Cover:

fabric or leather in limited categories

Technical drawings



B&B Italia reserves the right to make technological and aesthetic improvements to its models, including changes to the sizes and materials, without notice. The technical drawings do not define the details of the product. The measurements shown are indicative and may undergo changes. In particular, the dimensions relevant to the padded parts are subject to usage tolerances over time caused by the normal adjustment of the padding. For the specific information, please contact the dealer closest to you.