

---

# Cosmos

TABLES

*Jeffrey Bernett*



## Description

The table and small tables have the same base-frame as the chairs and are available in two heights and three diameters in the round version, while in one height and one width for the square version. Pleasant and minimal, they can be placed beside each other, so they can easily adapt to different home and contract uses.

---

## Technical information

### Support frame:

bright brushed die-cast aluminium and extrusions

### Top:

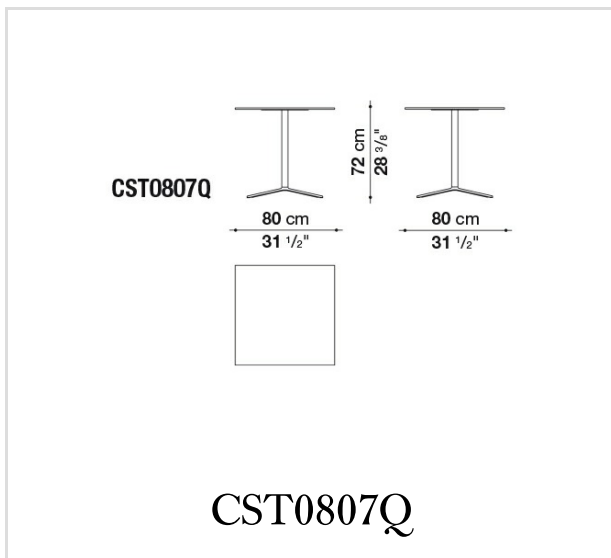
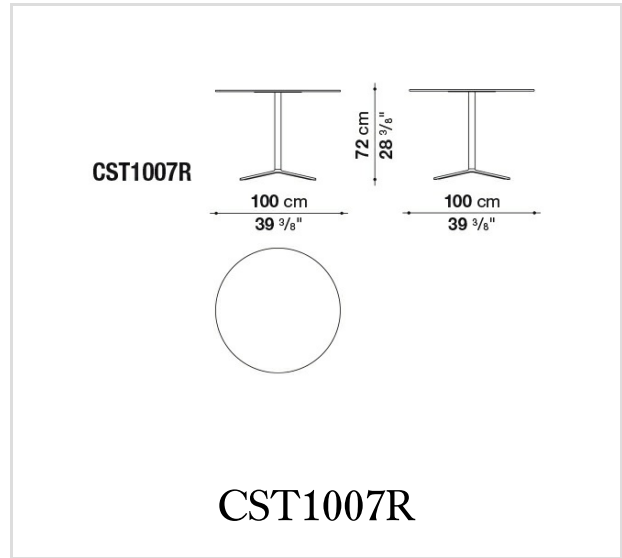
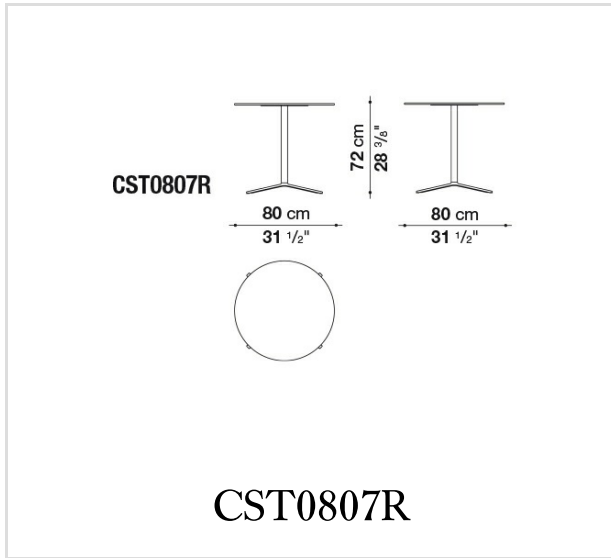
white or black solid core HPL stratified laminate, grey oak, brushed light oak or smoked stained oak veneered multilayered wood panel

### Ferrules:

thermoplastic material

---

# Technical drawings



B&B Italia reserves the right to make technological and aesthetic improvements to its models, including changes to the sizes and materials, without notice. The technical drawings do not define the details of the product. The measurements shown are indicative and may undergo changes. In particular, the dimensions relevant to the padded parts are subject to usage tolerances over time caused by the normal adjustment of the padding. For the specific information, please contact the dealer closest to you.