

Tilos,  
Chaise Lounge  
by Antonio Citterio

**kettal**

# Chaise Lounge

Designer  
Antonio Citterio

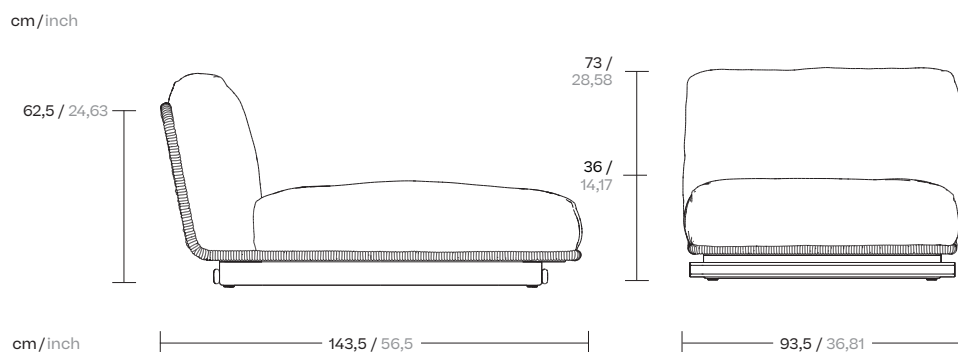
Collection  
Tilos

Reference  
KSB711800

1/2

The Tilos Collection takes inspiration from the archetypal seating of the 1950s and 1960s, traditionally crafted in bamboo and rattan. These forms have been reimagined using advanced technologies and modern industrial manufacturing techniques, resulting in a collection that feels both timeless and contemporary.

At its core, Tilos features a distinctive shell made of metal and woven acrylic rope, designed to cradle plush cushions while ensuring both comfort and durability.



kettal

# Chaise Lounge

Designer  
Antonio Citterio

Collection  
Tilos

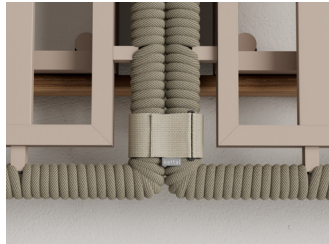
Reference  
KSB711800

2/2

## Maintenance

Clean gently with mild soap and a sponge or cloth, avoiding harsh scrubbing. Rinse off any soap residue. For tough stains, use diluted bleach and clean promptly to prevent setting.

## Module connection



## Other Characteristics

 Leveling feet

## Finishes

[Click here](#) or scan the following QR code.



kettal