

SOUTH

Konstantin Grcic

MAGIS



“The word **south** suggests the idea of a sunny, welcoming destination where people can gather and enjoy the outdoors in comfort and style”.

Konstantin Grcic

# index

<b>005</b>	south
<b>007</b>	overview
<b>011</b>	gallery
<b>024</b>	technical information
<b>029</b>	materials + upholstery
<b>031</b>	stores

# south

Accuracy is the essence of Konstantin Grcic's work, and his new collection, **South**, designed for outdoors but ideal for indoors too, is no different.

In cataphoresis-treated and powder-coated steel tube and wire, it is available in a range of colours: orange, bordeaux, light blue and night blue.

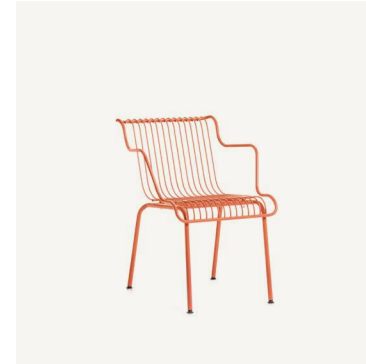
Sinuous yet minimal, the collection consists of an armchair, a low armchair, a bench and a low bench, all with armrests. It also includes four tables (200x120 cm with top in teak slats, 200x90, 160x90 and 90x90 cm with top in steel sheet) and two coffee tables (120x120 cm with top in either teak slats or in lava stone enamelled with recycled coloured glass and 90x90 cm with top in steel sheet). The collection also features woven mattings for the seats, carpets, baskets and a plaid, all in the same outdoor-friendly fabric.

As always, Konstantin Grcic combines formal rigour with a keen sense of design and architecture and demonstrates his passion for technology with careful research into materials and creative yet practical expertise.

The South collection's curved and inviting lines make explicit its direct and unconventional invitation to relax, resulting in dynamic comfort. To make the seats even more comfortable, a full (seat and backrest) woven matting can be secured to the shell with Velcro, offering a chic and practical alternative to classic cushions.

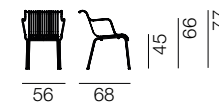


# overview



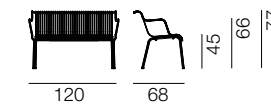
**South**  
armchair

image / p. 10-15, 17



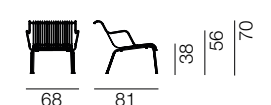
**South**  
bench

image / p. 16



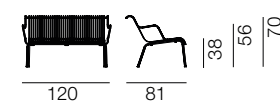
**South**  
low armchair

image / p. 18-23



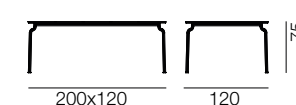
**South**  
low bench

image / p. 18-19, 23



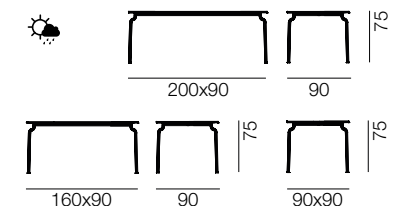
**South**  
table w/ top in teak

image / p. 13, 15



**South**  
table w/ top in steel sheet

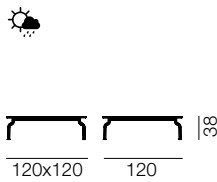
image / p. 10-12





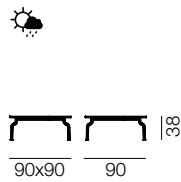
**South**  
low table w/ top in teak or lava stone

image / p. 18-19, 22-23



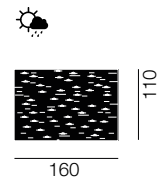
**South**  
low table w/ top in steel sheet

image / p. 21



**South**  
plaid

image / p. 20-21, 23

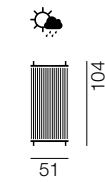
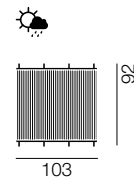


**South**  
woven matting for bench



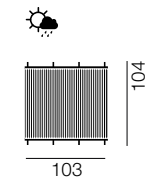
**South**  
woven matting for low armchair

image / p. 18-19, 22-23



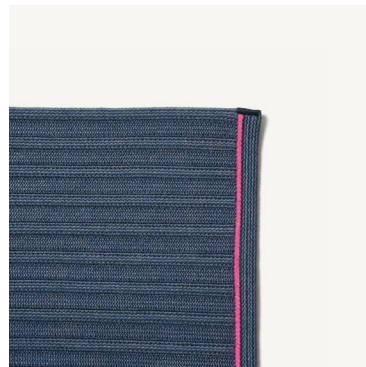
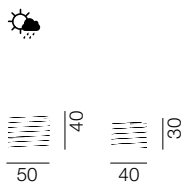
**South**  
woven matting for low bench

image / p. 18-19, 23



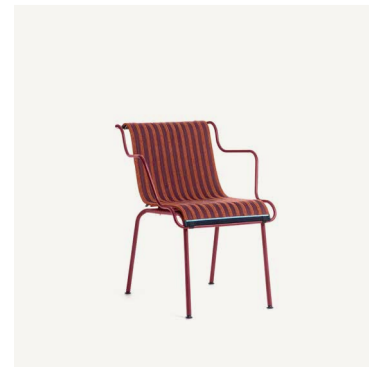
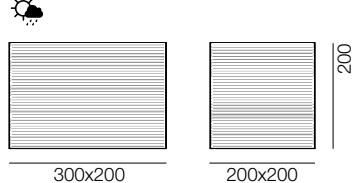
**South**  
basket

image / p. 10, 14, 20, 22-23



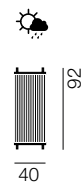
**South**  
carpet

image / p. 10-11, 18-19, 22-23

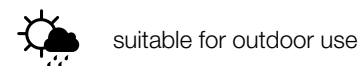


**South**  
woven matting for armchair

image / p. 13



**Legend**











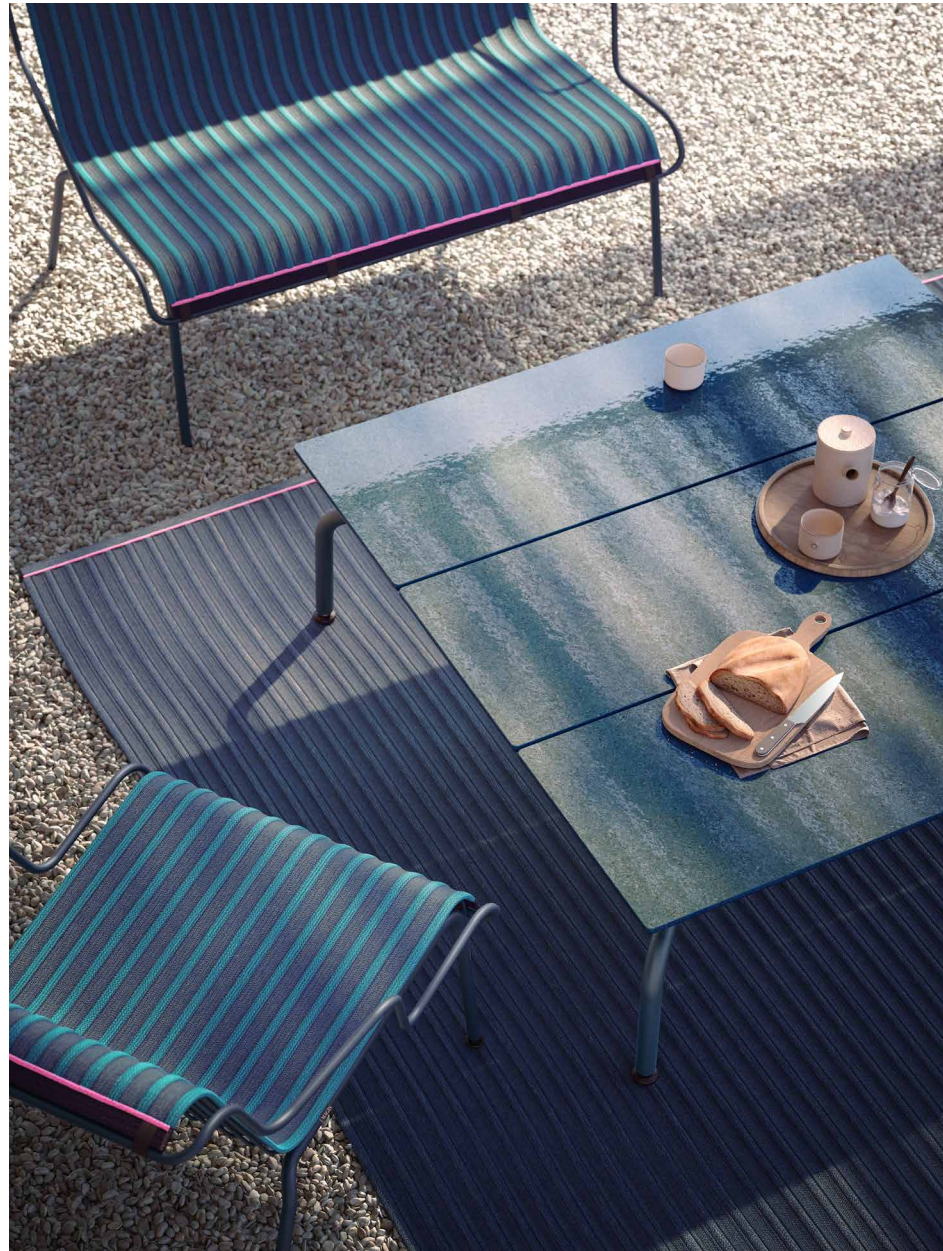
















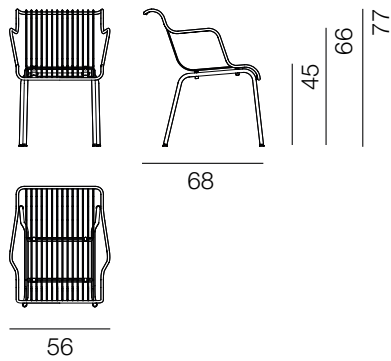






# technical information

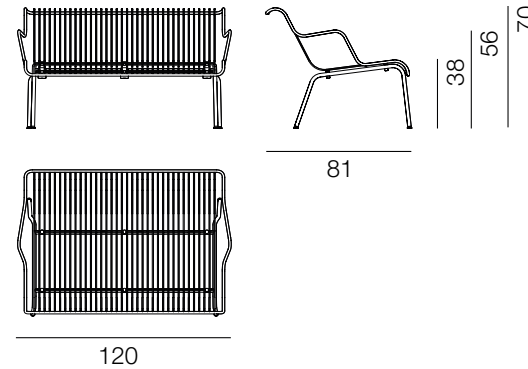
## armchair



**materials** / steel tube and steel wire, cataphoretically treated and painted in polyester powder. Pivoting feet.



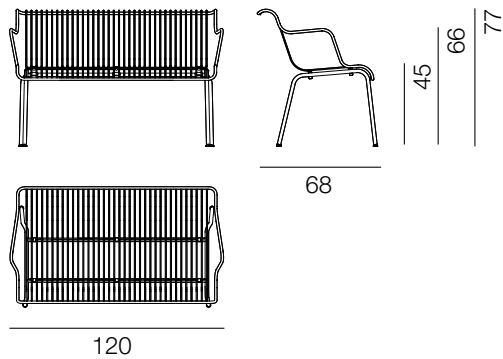
## low bench



**materials** / steel tube and steel wire, cataphoretically treated and painted in polyester powder. Pivoting feet.



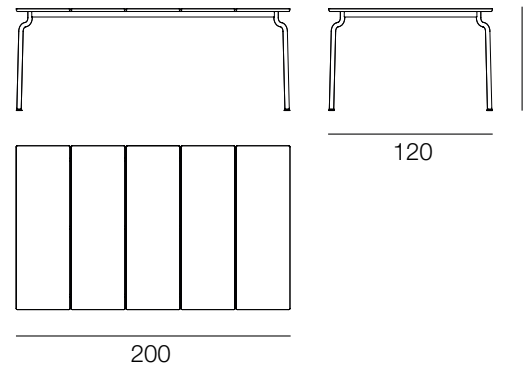
## bench



**materials** / steel tube and steel wire, cataphoretically treated and painted in polyester powder. Pivoting feet.



## table 200x120 cm w/ top in teak

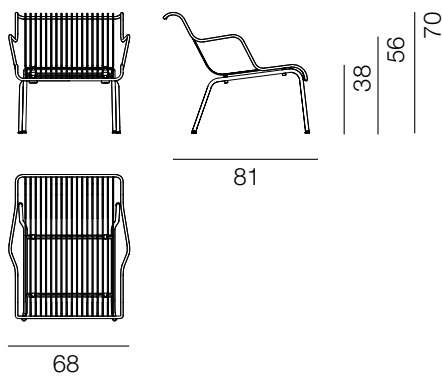


**materials** / frame in steel tube, cataphoretically treated and painted in polyester powder. Top in teak. Adjustable and pivoting feet.



<b>frame</b>	<b>top</b>	<b>top thickness</b>
		20 mm

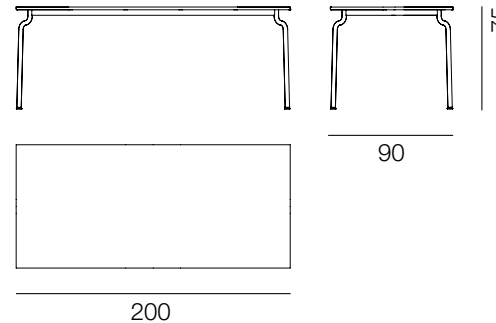
## low armchair



**materials** / steel tube and steel wire, cataphoretically treated and painted in polyester powder. Pivoting feet.



## table 200x90 w/ top in steel sheet

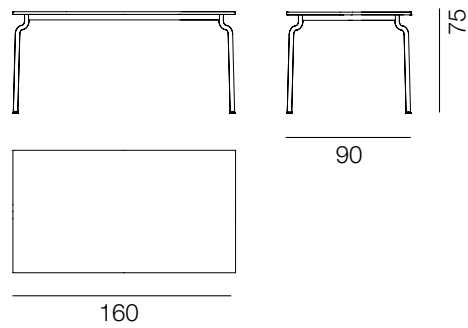


**materials** / frame in steel tube, cataphoretically treated and painted in polyester powder. Top in steel sheet. Adjustable and pivoting feet.




<b>frame + top</b>	<b>top thickness</b>
	17 mm

**table 160x90 w/ top in steel sheet**

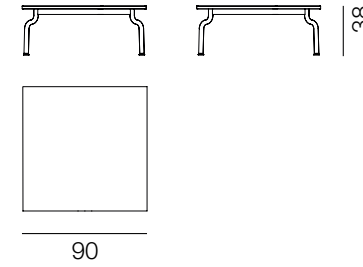


**materials** / frame in steel tube, cataphoretically treated and painted in polyester powder. Top in steel sheet. Adjustable and pivoting feet.




**frame + top** **top thickness**  
 17 mm

**low table w/ top in steel sheet**

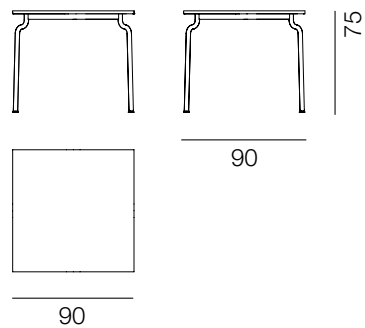


**materials** / frame in steel tube, cataphoretically treated and painted in polyester powder. Top in steel sheet. Adjustable and pivoting feet.




**frame + top** **top thickness**  
 17 mm

**table 90x90 w/ top in steel sheet**

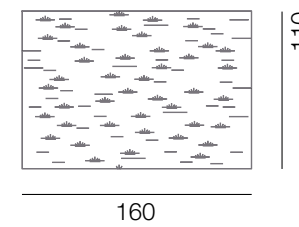


**materials** / frame in steel tube, cataphoretically treated and painted in polyester powder. Top in steel sheet. Adjustable and pivoting feet.



**frame + top** **top thickness**  
 17 mm

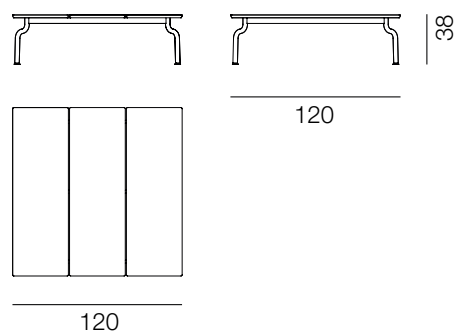
**plaid**



**material** / In 100% polyolefin.



**low table w/ top in teak or lava stone**

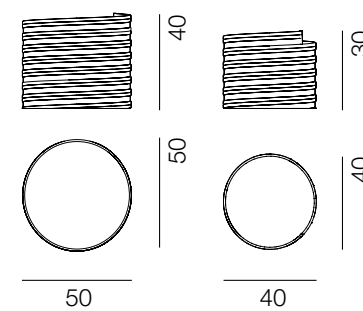


**materials** / frame in steel tube, cataphoretically treated and painted in polyester powder. Top in teak or lava stone. Adjustable and pivoting feet.



**frame** **top** **top thickness**  
 20 mm

**baskets**

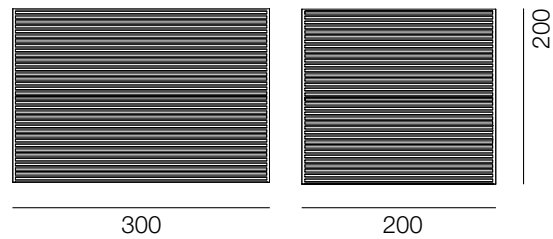


**material** / In 100% polyolefin.



# materials + upholstery

## carpets

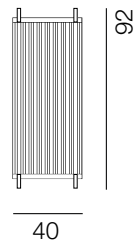


material / In 100% polyolefin.

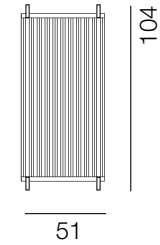


## woven mattings

for armchairs



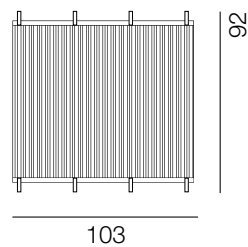
for low armchairs



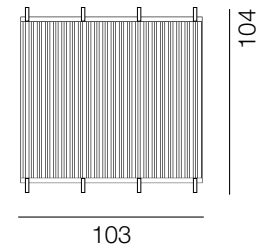
material / In 100% polyolefin.



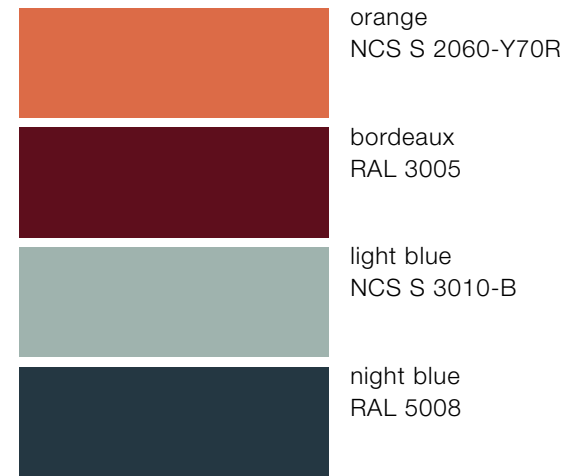
for benches



for low benches



## metal



## teak



## lava stone



## plaids



## baskets / woven mattings



## carpets



\* The finishes shown are indicative and refer to the entire production range. We recommend that you consult the Magis samples box which shows the complete range of finishes. Magis reserves the right to modify the range without warning. Any marks, stains, irregularities or slight changes in color that may be visible are peculiarities of handcrafted or natural materials (fabrics and table tops); and should not be considered defects.\*



# stores

## Headquarter

### Magis Spa

via Triestina, Accesso E Z.I. Ponte Tezze  
30020 Torre di Mosto Ve - Italia  
T +39 0421 319600  
info@magisdesign.com  
magisdesign.com

## Showrooms

### Milan

corso Garibaldi, 77  
20121 - Italy  
T +39 02 62 694 166  
milano@magisdesign.com

### Paris

264, Blvd. Saint-Germain  
75007 - France  
T +33 (0)7 88 25 88 73  
france@magisdesign.com

### Tokyo

1-2-3 Aoyama Building 1F  
Kitaoyama Minato-ku  
107-0061 - Japan  
T +81 3 3405 6050  
info@magisjapan.com



# credits

## **all rights reserved**

No part of this publication may be reproduced, stored in a retrieval system or transmitted, in any form or by any means, electronic, mechanical, photocopying, recording or otherwise, without the prior permission of Magis Spa.

Magis reserves the right to introduce any changes to its own models, without prior notice.

## **graphic design**

Magis Lab

## **images**

Nudesign

## **discover more on**



@magis\_official



magis\_official



magisofficial



magis\_official

© Magis Spa 2024



