
Allure O' Outdoor

TABLES

2023

Monica Armani



Description

The Allure O' Outdoor table keeps the graceful strength of the design of the indoor version, clearly visible in the shape of the top and the balance between straight lines and sinuous curves. It is proposed with square and rectangular tops and in two heights to accompany the Flair O' Outdoor chairs but also the sofas and chairs in the other families of the B&B Italia Outdoor collection. The base-frame is made of moulded cement, a choice that gives the table extreme solidity and an appearance that easily adapts to any outdoor furnishing situation. The tops are available in lightened concrete and a surprising glossy glazed stoneware, a nostalgic material, used in the past for kitchen cooking surfaces. Allure O' Outdoor is produced with an artisanal technique, after a slow, single firing process at a temperature of 250 °C, the stoneware is manually glazed by airbrush, a technique that allows for a unique depth and variety of colour.

Technical information

Top

stoneware or cement (Ultra High Performance Concrete)

Coupling plate

stainless steel

Base-frame

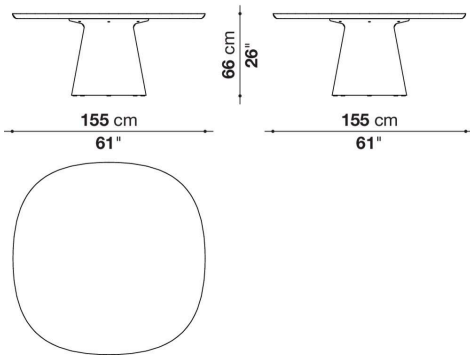
cement (Ultra High Performance Concrete)

Ferrules and spacers

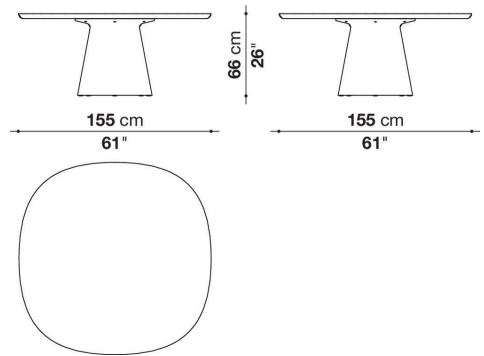
thermoplastic material

Technical drawings

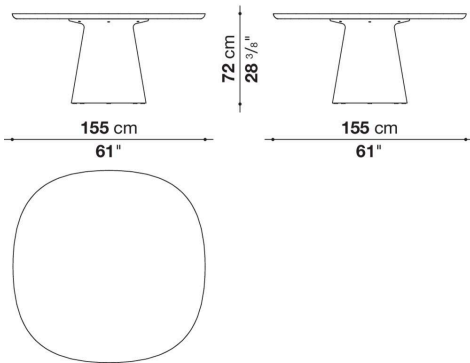
OA155TQ_6



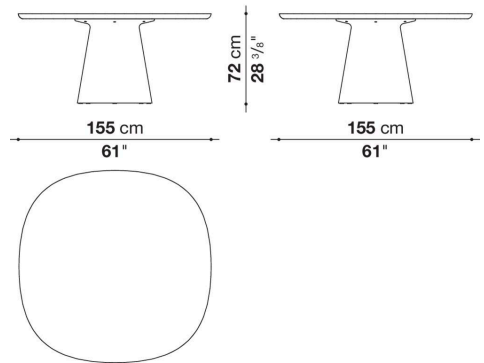
OA155TQ_6G



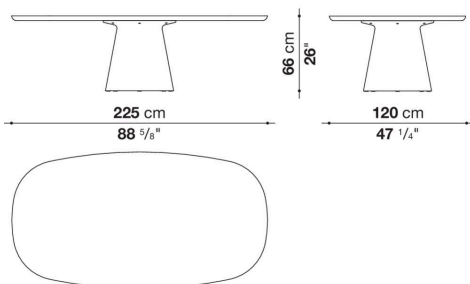
OA155TQ_7



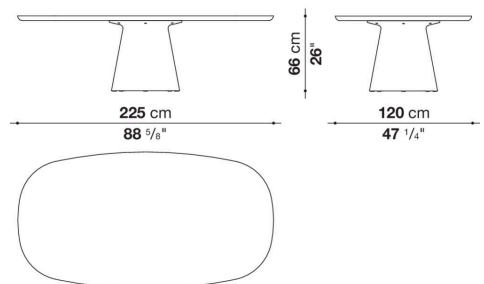
OA155TQ_7G



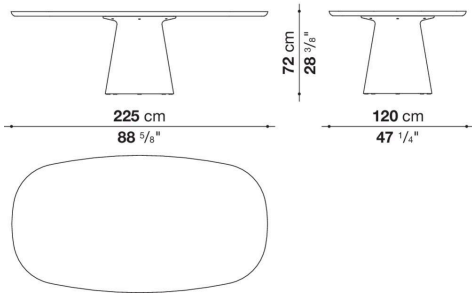
OA225T_6



OA225T_6G



OA225T_7



OA225T_7G

