

# Awa

SMALL TABLES

2009

Naoto Fukasawa



## Description

---

Elegantly asymmetrical, Awa is a versatile object, a service table to be placed wherever a support surface is needed. It is available in white Cristalplant®, a material suitable to be used both indoors and outdoors, and in hard polyurethane in many satin and glossy colours that bring an energy boost to any room and style. Awa is the perfect element for every situation.

## Technical information

---

**Frame (TA1)**

Cristalplant Outdoor® (natural mineral filler of phosphate of aluminium with polyester acrylate resin)

**Frame (AW58T)**

hard polyurethane

**Internal pin and plate (AW58T)**

steel

**Ferrules (TA1)**

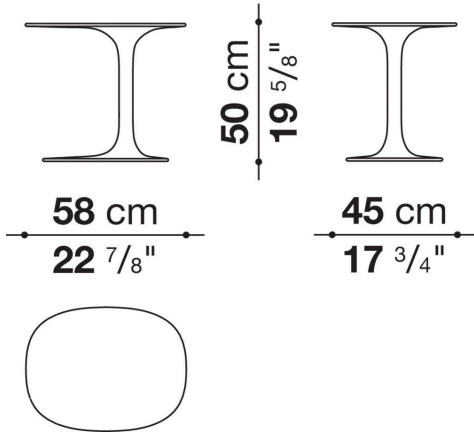
thermoplastic material

**Ferrules (AW58T)**

felt

# Technical drawings

## TA1



## AW58T

