

# Molteni & C

## HUBERT — VINCENT VAN DUYSSEN 2019

1—  
2



Set of small tables specifically designed by Vincent Van Duysen to go with the Gregor sofa. They echo the rounded angles of the sofa to create a harmonious whole. Square or rectangular, these are occasional tables each with two wooden horizontal tops, supported by curved hide leather-covered vertical elements, which form a partially closed compartment between the top and the shelf below, designed to hold various handy objects for those sitting on the sofa.

### DATASHEET

REGISTERED  
DESIGN

IX.2022

## FINISHES

### WOODEN TOP FINISHES

eucalyptus  
sunrise oak

### BONDED HIDE LEATHER FINISHES

ivory  
dark brown  
natural  
mud green  
dove grey  
black

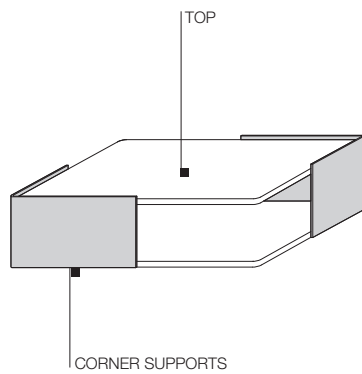
## TECHNICAL INFORMATION

### TOPS

Chipboard panel, shaped and covered with wood veneer in eucalyptus (*Eucalyptus Globulus*) or oak (*Quercus*).  
The lower shelf sets on the floor on adjustable plastic feet.

### CORNER SUPPORTS

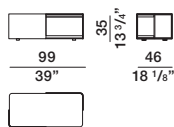
Inserts in curved metal sheet covered in bonded hide leather.



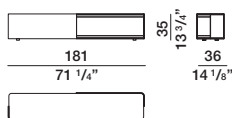
## DIMENSIONS

### rectangular small tables

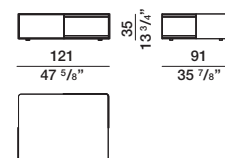
#### HTA1



#### HTA2

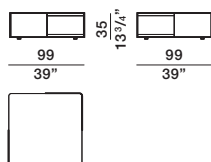


#### HTA3

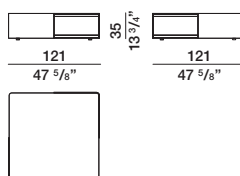


### square small tables

#### HTA4



#### HTA5



## DATASHEET

REGISTERED  
DESIGN

IX.2022