

# Catifa 46 Bar Stool

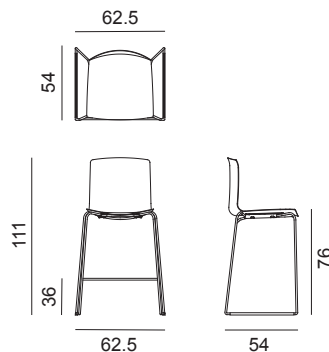
Design by Lievore Altherr Molina, 2012

## Art. 0305

Stool with chromed or powder-coated steel sled base and Polypropylene shell with cushion upholstered in fabric, leather, coated fabric or customer's own material applied to the seat surface. Seat height 76 cm. Optional glides with felt for wooden floors are available upon request.



### Dimensions \*



\* File CAD 2D - 3D available for download at [www.arper.com](http://www.arper.com)

### Frame Base



arper

### Shell

#### Polypropylene



### Carded In



### Graded In

**kvadrat**

**camira**

**Gabriel®**

www.arper.com  
info@arper.com

# Catifa 46 Bar Stool

## Design by Lievore Altherr Molina, 2012

---

### Accessories:



Stacking protection pad Art.  
0499



Trolley Art. 0760

---

### SHIPMENT DETAILS

#### Art.0305

1 pz = 2  - kg 14,4/ m<sup>2</sup> 0,378  
4 pz = 2  - kg 46,44/ m<sup>2</sup> 0,496

---

### RESISTANCE TEST

- EN 1728:2000 - EN 15373:2007 6.12
- EN 1728:2000 - EN 15373:2007 6.2.1
- EN 1728:2000 - EN 15373:2007 6.4
- EN 1728:2000 - EN 15373:2007 6.8
- TUV GS (EN16139)
- EN 1728:2000 - EN 15373:2007 6.13
- EN 1728:2000 - EN 15373:2007 6.2.2
- EN 1728:2000 - EN 15373:2007 6.7
- ANSI-BIFMA X5.1-2002 12
- EN 15373:2007 A.5

---

### ENVIRONMENTAL CERTIFICATIONS



- with stacking pad, without tools up to 8 units
- with stacking pad, with trolley up to 8 units
  
- leather / coated fabric: with stacking pad, without tools up to 5 units
- leather / coated fabric: with stacking pad, with trolley up to 5 units

---

### TECHNICAL SPECIFICATIONS

#### Art.0305

COL requirement m<sup>2</sup> 0.48  
H 140 cm. COM Meterage m 0.59

---

### FIRE RETARDANT TEST

arper

www.arper.com  
info@arper.com

www.arper.com

# Catifa 46 Bar Stool

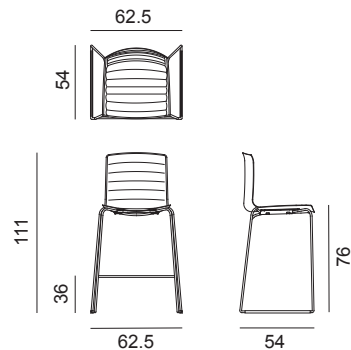
Design by Lievore Altherr Molina, 2013

## Art. 0321

Stool with chromed or powder-coated steel sled base and polypropylene shell upholstered with a removable non-washable cover in leather, coated fabric, fabric or customer's own material. The cover stitching comes in the same color as the upholstery. The chair is provided already fitted with the cover. Optional glides with felt for wooden floors are available upon request. Seat height 76 cm.



## Dimensions \*



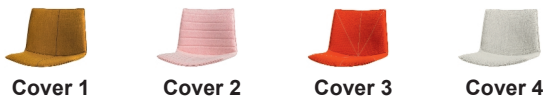
\* File CAD 2D - 3D available for download at [www.arper.com](http://www.arper.com)

## Frame Base

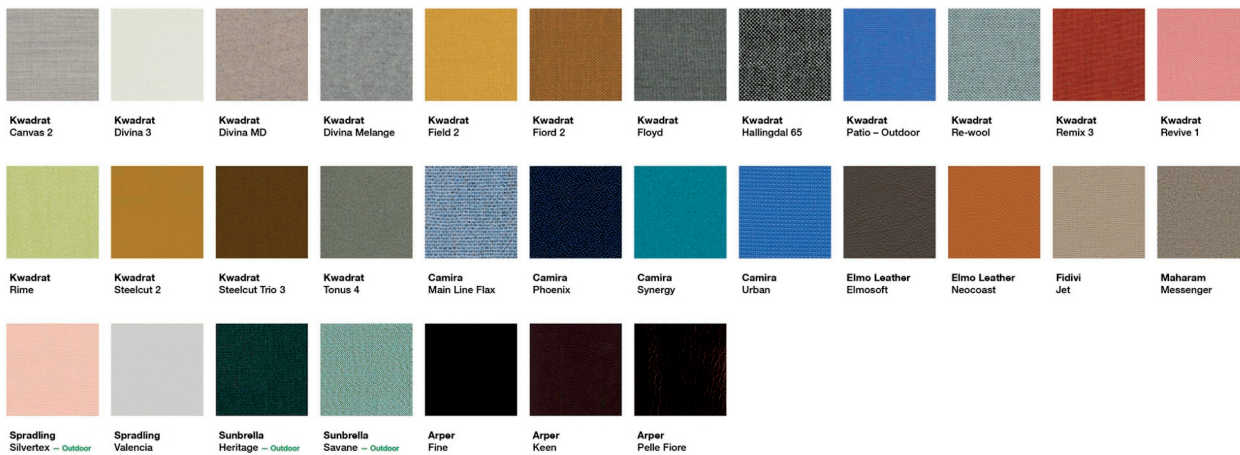


arper

## Shell



## Carded In



## Graded In

**kvadrat**

**camira**

**Gabriel®**

info@arper.com

www.arper.com

# Catifa 46 Bar Stool

## Design by Lievore Altherr Molina, 2013

---

### Accessories:



Stacking protection pad Art.  
0499




Trolley Art. 0760

---

### SHIPMENT DETAILS

#### Art.0321

1 pz = 2  - kg 13/ m<sup>3</sup> 0,371

4 pz = 2  - kg 45/ m<sup>3</sup> 0,488

---

### RESISTANCE TEST

- EN 1728:2000 - EN 15373:2007 6.12
- EN 1728:2000 - EN 15373:2007 6.2.1
- EN 1728:2000 - EN 15373:2007 6.4
- EN 1728:2000 - EN 15373:2007 6.8
- TUV GS (EN16139)

- EN 1728:2000 - EN 15373:2007 6.13
- EN 1728:2000 - EN 15373:2007 6.2.2
- EN 1728:2000 - EN 15373:2007 6.7
- ANSI-BIFMA X5.1-2002 12
- EN 15373:2007 A.5

---

### ENVIRONMENTAL CERTIFICATIONS



- with stacking pad, without tools up to 8 units
- with stacking pad, with trolley up to 8 units

- leather / coated fabric: with stacking pad, without tools up to 5 units
- leather / coated fabric: with stacking pad, with trolley up to 5 units

---

### TECHNICAL SPECIFICATIONS

#### Art.0321

COL requirement m<sup>2</sup> 1.97

H 140 cm. COM Meterage m 1.08

\*Classe 1, 2, 11M: fire retardant version available with surcharge and eventual minimum batch

---

### FIRE RETARDANT TEST

arper

www.arper.com  
info@arper.com

www.arper.com

# Catifa 46 Bar Stool

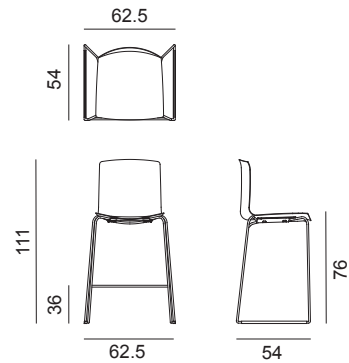
Design by Lievore Altherr Molina, 2004

## Art. 0471

Stool with chromed or powdercoated steel sled base and shell in single-colour polypropylene or bi-colour polypropylene. Seat height 76 cm. Optional glides with felt for wooden floors are available upon request.



## Dimensions \*



\* File CAD 2D - 3D available for download at [www.arper.com](http://www.arper.com)

## Frame Base



CRO

V12  
matt

V39  
matt

## Shell

### Polypropylene



PO00204

PO00205

PO00209

PO00212

PO00213

PO00214

PO00215

PO00216

PO00217

PO00218

### Hard leather Grade 1 and Grade 2



CT

CU

arper

info@arper.com

www.arper.com

# Catifa 46 Bar Stool

## Design by Lievore Altherr Molina, 2004

---

### Accessories:



Cushion Art. 0261



Stacking protection pad Art. 0262





Trolley Art. 0760

---

### SHIPMENT DETAILS

#### Art.0471

1 pz = 2  - kg 11,7/ m<sup>2</sup> 0,349

4 pz = 2  - kg 39/ m<sup>2</sup> 0,432

---

### TECHNICAL SPECIFICATIONS

#### Art.0471

Outdoor: only for PO, V12, V39 Outdoor powdercoated  
\*Classe 1, 2, 1IM: fire retardant version available with surcharge and eventual minimum batch

---

### RESISTANCE TEST

- EN 1728:2000 - EN 15373:2007 6.12
- EN 1728:2000 - EN 15373:2007 6.2.1
- EN 1728:2000 - EN 15373:2007 6.4
- EN 1728:2000 - EN 15373:2007 6.8
- TUV GS (EN16139)

- without tools up to 10 units
- with trolley up to 10 units

- EN 1728:2000 - EN 15373:2007 6.13
- EN 1728:2000 - EN 15373:2007 6.2.2
- EN 1728:2000 - EN 15373:2007 6.7
- ANSI-BIFMA X5.1-2002 12
- EN 15373:2007 A.5

---

### FIRE RETARDANT TEST

arper

www.arper.com

info@arper.com

# Catifa 46 Bar Stool

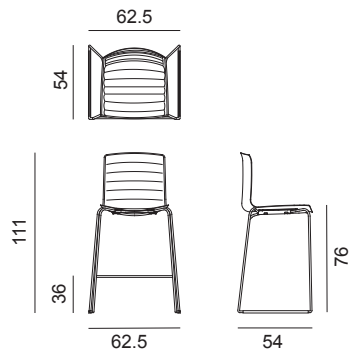
Design by Lievore Altherr Molina, 2004

## Art. 0473

Stool with chromed or powdercoated steel sled base and polypropylene shell upholstered in leather, coated fabric, fabric or customer's own material. Line detail stitching. Seat height 76 cm. Optional glides with felt for wooden floors are available upon request.



## Dimensions \*



\* File CAD 2D - 3D available for download at [www.arper.com](http://www.arper.com)

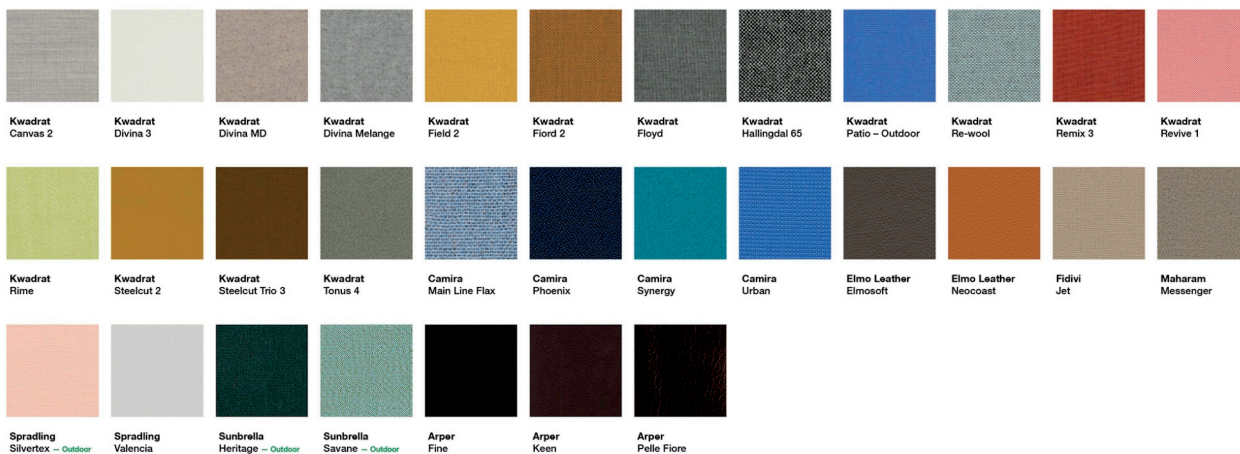
## Frame Base



arper

## Shell

### Carded In



### Graded In

**kvadrat**

**camira**

**Gabriel®**

# Catifa 46 Bar Stool

## Design by Lievore Altherr Molina, 2004

---

### Accessories:



Stacking protection pad Art. 0499




Trolley Art. 0760

---

### SHIPMENT DETAILS

#### Art.0473

1 pz = 2  - kg 13/ m<sup>3</sup> 0,371

4 pz = 2  - kg 45/ m<sup>3</sup> 0,488

---

### RESISTANCE TEST

- EN 1728:2000 - EN 15373:2007 6.12
- EN 1728:2000 - EN 15373:2007 6.2.1
- EN 1728:2000 - EN 15373:2007 6.4
- EN 1728:2000 - EN 15373:2007 6.8
- TUV GS (EN16139)

- EN 1728:2000 - EN 15373:2007 6.13
- EN 1728:2000 - EN 15373:2007 6.2.2
- EN 1728:2000 - EN 15373:2007 6.7
- ANSI-BIFMA X5.1-2002 12
- EN 15373:2007 A.5

---

### ENVIRONMENTAL CERTIFICATIONS



- with stacking pad, without tools up to 8 units
- with stacking pad, with trolley up to 8 units

- leather / coated fabric: with stacking pad, without tools up to 5 units
- leather / coated fabric: with stacking pad, with trolley up to 5 units

---

### TECHNICAL SPECIFICATIONS

#### Art.0473

COL requirement m<sup>2</sup> 1.67

H 140 cm. COM Meterage m 1.1

\*Classe 1, 2, 11M: fire retardant version available with surcharge and eventual minimum batch

---

### FIRE RETARDANT TEST

arper

www.arper.com  
info@arper.com

www.arper.com



# Catifa 46 Bar Stool

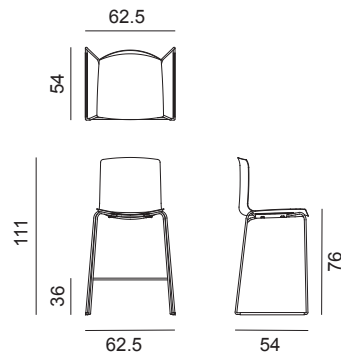
Design by Lievore Altherr Molina, 2004

## Art. 0478

Stool with chromed or powder-coated steel sled base and polypropylene shell front upholstery in leather, coated fabric, fabric or customer's own materials. Seat height 76 cm. Optional glides with felt for wooden floors are available upon request.



### Dimensions \*



\* File CAD 2D - 3D available for download at [www.arper.com](http://www.arper.com)

### Frame Base

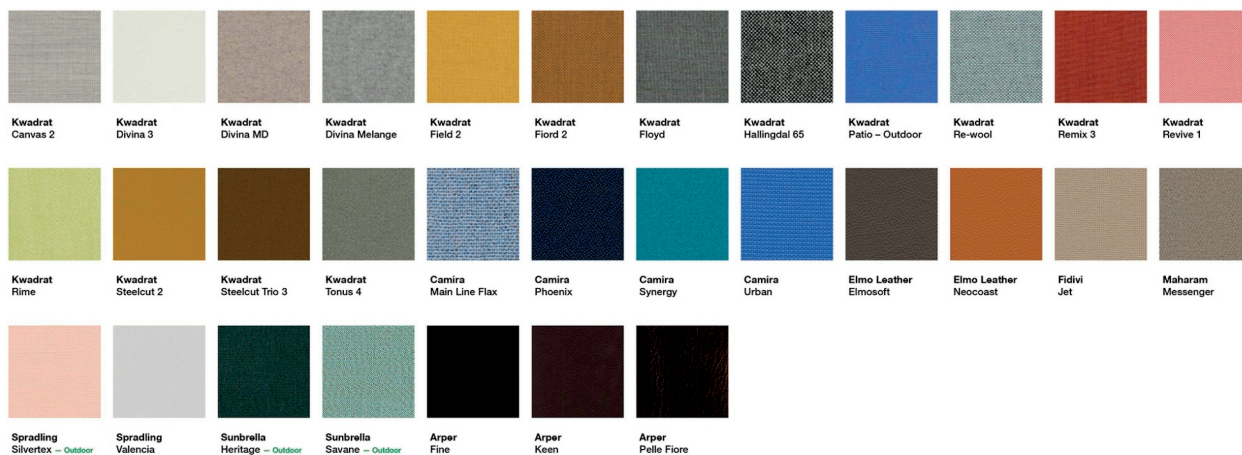


### Shell

#### Polypropylene



### Carded In



### Graded In

**kvadrat**

**camira**

**Gabriel®**

arper

info@arper.com

www.arper.com

# Catifa 46 Bar Stool

## Design by Lievore Altherr Molina, 2004

---

### Accessories:



Stacking protection pad Art. 0499



Trolley Art. 0760

---

### SHIPMENT DETAILS

#### Art.0478

1 pz = 2  - kg 14,4/ m<sup>2</sup> 0,378  
4 pz = 2  - kg 46,44/ m<sup>2</sup> 0,496

---

### RESISTANCE TEST

- EN 1728:2000 - EN 15373:2007 6.12
- EN 1728:2000 - EN 15373:2007 6.2.1
- EN 1728:2000 - EN 15373:2007 6.4
- EN 1728:2000 - EN 15373:2007 6.8
- TUV GS (EN16139)
- EN 1728:2000 - EN 15373:2007 6.13
- EN 1728:2000 - EN 15373:2007 6.2.2
- EN 1728:2000 - EN 15373:2007 6.7
- ANSI-BIFMA X5.1-2002 12
- EN 15373:2007 A.5

---

### ENVIRONMENTAL CERTIFICATIONS



- with stacking pad, without tools up to 8 units
- with stacking pad, with trolley up to 8 units
  
- leather / coated fabric: with stacking pad, without tools up to 5 units
- leather / coated fabric: with stacking pad, with trolley up to 5 units

---

### TECHNICAL SPECIFICATIONS

#### Art.0478

COL requirement m<sup>2</sup> 0.94  
H 140 cm. COM Meterage m 0.65

---

### FIRE RETARDANT TEST

arper

www.arper.com

info@arper.com

# Catifa 46 Bar Stool

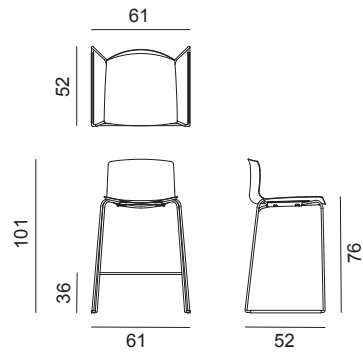
Design by Lievore Altherr Molina, 2004

## Art. 0481

Stool with chromed or powdercoated steel sled base and polypropylene shell covered in hard leather without padding. Seat height 76 cm. Optional glides with felt for wooden floors are available upon request.



## Dimensions \*



\* File CAD 2D - 3D available for download at [www.arper.com](http://www.arper.com)

## Frame Base



CRO

V12  
matt

V39  
matt

## Shell

### Hard leather Grade 1 and Grade 2



CT

CU

arper

info@arper.com

www.arper.com

# Catifa 46 Bar Stool

## Design by Lievore Altherr Molina, 2004

---

### Accessories:



Stacking protection pad Art.  
0262





Trolley Art. 0760

---

### SHIPMENT DETAILS

#### Art.0481

1 pz = 2  - kg 12,2/ m<sup>3</sup> 0,338

4 pz = 2  - kg 41,5/ m<sup>3</sup> 0,448

---

### RESISTANCE TEST

- TUV GS (EN16139)

---

### ENVIRONMENTAL CERTIFICATIONS



- CT: with stacking pad, without tools up to 5 units
- CT: with stacking pad, with trolley up to 5 units

---

### TECHNICAL SPECIFICATIONS

---

### FIRE RETARDANT TEST

arper

www.arper.com

info@arper.com

# Catifa 46 Bar Stool

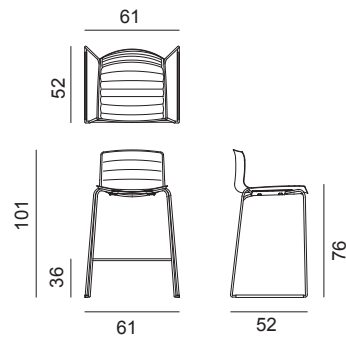
## Design by Lievore Altherr Molina, 2004

### Art. 0483

Stool with chromed or powdercoated steel sled base and shell upholstered in leather, coated fabric, fabric or customer's own material. Line detail stitching. Seat height 76 cm. Optional glides with felt for wooden floors are available upon request.



### Dimensions \*



\* File CAD 2D - 3D available for download at [www.arper.com](http://www.arper.com)

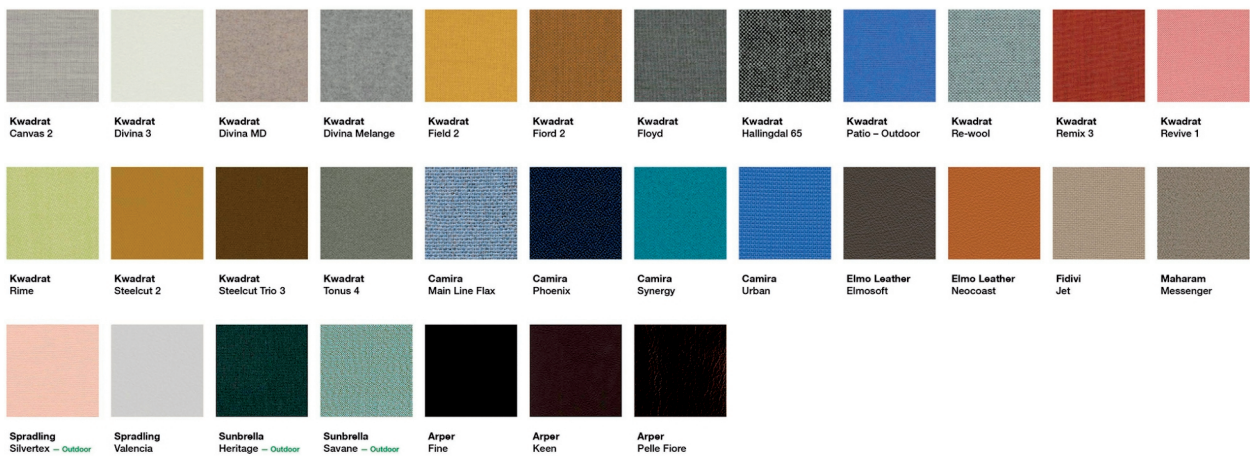
### Frame Base



arper

### Shell

#### Carded In



#### Graded In

**kvadrat**

**camira**

**Gabriel®**

info@arper.com

www.arper.com

# Catifa 46 Bar Stool

## Design by Lievore Altherr Molina, 2004

---

### Accessories:



Stacking protection pad Art. 0499





Trolley Art. 0760

---

### SHIPMENT DETAILS

#### Art.0483

1 pz = 2  - kg 12,2/ m<sup>2</sup> 0,338

4 pz = 2  - kg 41,5/ m<sup>2</sup> 0,448

---

### RESISTANCE TEST

- TUV GS (EN16139)

---

### ENVIRONMENTAL CERTIFICATIONS



- with stacking pad, without tools up to 8 units
- with stacking pad, with trolley up to 8 units
  
- leather / coated fabric: with stacking pad, without tools up to 5 units
- leather / coated fabric: with stacking pad, with trolley up to 5 units

---

### TECHNICAL SPECIFICATIONS

#### Art.0483

COL requirement m<sup>2</sup> 1.67

H 140 cm. COM Meterage m 0.99

\*Classe 1, 2, 1IM: fire retardant version available with surcharge and eventual minimum batch

---

### FIRE RETARDANT TEST

arper

www.arper.com

info@arper.com

# Catifa 46 Bar Stool

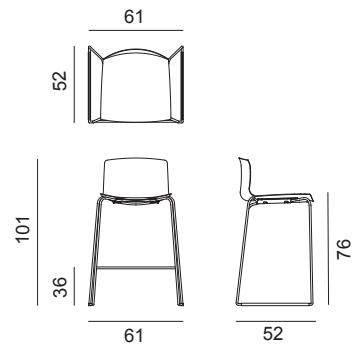
Design by Lievore Altherr Molina, 2004

## Art. 0571

Stool with chromed or powder-coated steel sled base and oak-effect reconstituted veneer shell available in three finishes (natural oak, bleached oak, wengé). Seat height 76 cm. Optional glides with felt for wooden floors are available upon request.



## Dimensions \*

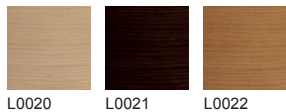


\* File CAD 2D - 3D available for download at [www.arper.com](http://www.arper.com)

## Frame Base



## Shell Wood



arper

info@arper.com

www.arper.com

# Catifa 46 Bar Stool

## Design by Lievore Altherr Molina, 2004

---

### Accessories:



Cushion Art. 0261



Stacking protection glide Art. 0286





Trolley Art. 0760

---

### SHIPMENT DETAILS

#### Art.0571

1 pz = 2  - kg 10,9/ m<sup>3</sup> 0,347

4 pz = 2  - kg 35,82/ m<sup>3</sup> 0,444

---

### RESISTANCE TEST

- EN 1728:2000 - EN 15373:2007 6.12
- EN 1728:2000 - EN 15373:2007 6.15
- EN 1728:2000 - EN 15373:2007 6.2.1
- EN 1728:2000 - EN 15373:2007 6.4
- EN 1728:2000 - EN 15373:2007 6.8
- TUV GS (EN16139)
- EN 1728:2000 - EN 15373:2007 6.13
- EN 1728:2000 - EN 15373:2007 6.16
- EN 1728:2000 - EN 15373:2007 6.2.2
- EN 1728:2000 - EN 15373:2007 6.7
- EN 1022:05
- EN 15373:2007 A.5

---

### ENVIRONMENTAL CERTIFICATIONS



- with stacking pad, without tools up to 10 units
- with stacking pad, with trolley up to 10 units

---

### TECHNICAL SPECIFICATIONS

#### Art.0571

\*Classe 1, 2, 11M: fire retardant version available with surcharge and eventual minimum batch

---

### FIRE RETARDANT TEST

arper

www.arper.com

info@arper.com