

Product Fact Sheet

# Desert Collection



ferm  
L I V I N G



# Desert Lounge Chair – Cashmere Frame

A modernist chair with a graceful profile, the Desert Lounge Chair is crafted from a tubular powder coated steel frame, holding an interchangeable handwoven textile seat made entirely from recycled post-consumer plastic that has been spun into PET yarn. Suitable for use both indoors and out, the lounge design invites relaxation.



1104269106  
Cashmere/Off-white/Chocolate



1104267051  
Cashmere/Cloud



1103622867  
Cashmere/Sand



1103612866  
Cashmere/Soil



1104263883  
Cashmere/Block



1104263884  
Cashmere/Olive



1104266083  
Cashmere/Dune

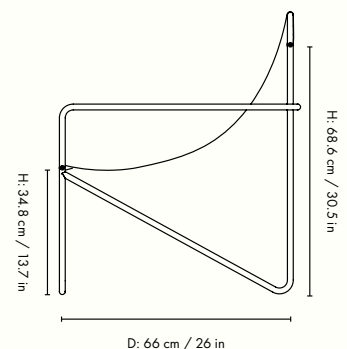
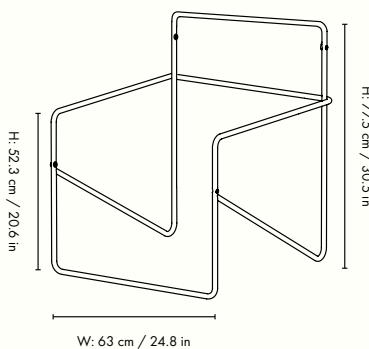


1103632868  
Cashmere/Stripes

## Information

**Size:** H: 77.5 x W: 63 x D: 66 x SH: 20 cm /  
H: 30.5 x W: 24.8 x D: 26 x SH: 7.9 in  
**Material:** Powder coated steel frame. Seat: 100% Recycled PET yarn made from post-consumer plastic  
**Care:** Seat: 30°C gentle wash. Dry flat.  
Frame: Wipe with a damp cloth  
**Info:** Removable seat hand-woven from PET yarn made from recycled plastic that corresponds to 53 1L plastic bottles. Suitable for outdoor use. Height of crossbar under the knees: 31.5 cm / 12.4 in.  
Registered design  
**Country of origin:** Textile: India. Frame: Lithuania  
**Net weight:** 5.9 kg  
**Packsize:** 2 / US:1  
**Test:** EN 581-2:2015/AC:2016 Outdoor furniture  
EN 581-1:2017 Outdoor furniture

## Measurements



# Desert Lounge Chair – Poppy Red Frame

A modernist chair with a graceful profile, the Desert Lounge Chair is crafted from a tubular powder coated steel frame, holding an interchangeable handwoven textile seat made entirely from recycled post-consumer plastic that has been spun into PET yarn. Suitable for use both indoors and out, the lounge design invites relaxation.



1104267053  
Poppy Red/Cloud



1104263886  
Poppy Red/Sand



1104267185  
Poppy Red/Block

## Information

**Size:** H: 77.5 x W: 63 x D: 66 cm /  
H: 30.5 x W: 24.8 x D: 26 in

**Material:** Powder coated steel frame. Seat: 100% Recycled PET yarn made from post-consumer plastic

**Care:** Seat: 30°C gentle wash. Dry flat.

**Frame:** Wipe with a damp cloth

**Info:** Removable seat hand-woven from PET yarn made from recycled plastic that corresponds to 53 1L plastic bottles. Suitable for outdoor use. Height of crossbar under the knees: 31.5 cm / 12.4 in.

Registered design

**Country of origin:** Textile: India. Frame: Italy

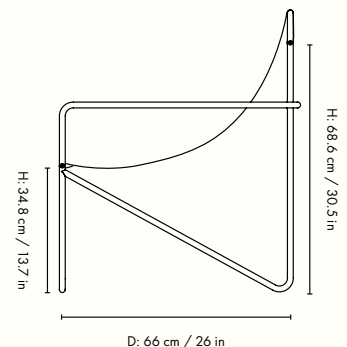
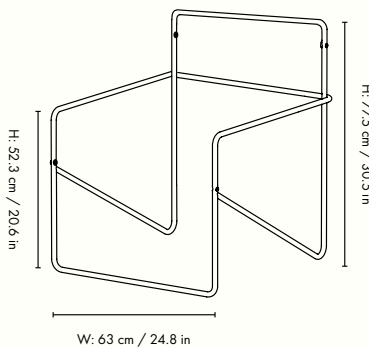
**Net weight:** 5.9 kg

**Packsize:** 2 / US:1

**Test:** EN 581-2:2015/AC:2016 Outdoor furniture

EN 581-1:2017 Outdoor furniture

## Measurements



# Desert Lounge Chair – Olive Frame

A modernist chair with a graceful profile, the Desert Lounge Chair is crafted from a tubular powder coated steel frame, holding an interchangeable handwoven textile seat made entirely from recycled post-consumer plastic that has been spun into PET yarn. Suitable for use both indoors and out, the lounge design invites relaxation.



1104269107  
Olive/Off-white/Chocolate



1104267052  
Olive/Cloud



1104267186  
Olive/Sand



1104263885  
Olive/Olive



1104267187  
Olive/Dune

## Information

**Size:** H: 77.5 x W: 63 x D: 66 cm /  
H: 30.5 x W: 24.8 x D: 26 in

**Material:** Powder coated steel frame. Seat: 100% Recycled PET yarn made from post-consumer plastic

**Care:** Seat: 30°C gentle wash. Dry flat.

**Frame:** Wipe with a damp cloth

**Info:** Removable seat hand-woven from PET yarn made from recycled plastic that corresponds to 53 1L plastic bottles. Suitable for outdoor use. Height of crossbar under the knees: 31.5 cm / 12.4 in.

Registered design

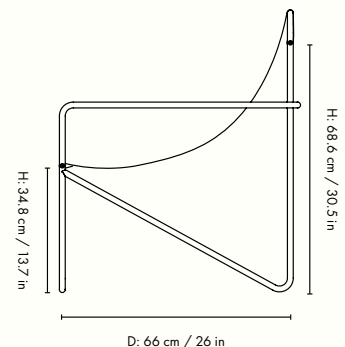
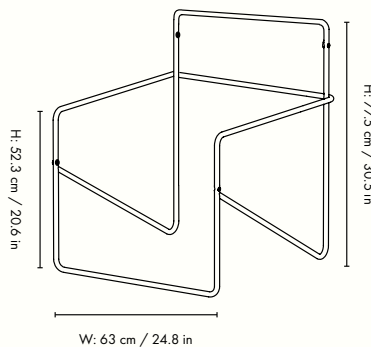
**Country of origin:** Textile: India. Frame: Italy

**Net weight:** 5.9 kg

**Packsize:** 2 / US:1

**Test:** EN 581-2:2015/AC:2016 Outdoor furniture  
EN 581-1:2017 Outdoor furniture

## Measurements



# Desert Lounge Chair – Black Frame

A modernist chair with a graceful profile, the Desert Lounge Chair is crafted from a tubular powder coated steel frame, holding an interchangeable handwoven textile seat made entirely from recycled post-consumer plastic that has been spun into PET yarn. Suitable for use both indoors and out, the lounge design invites relaxation.



1104269105  
Black/Off-white/Chocolate



1104267050  
Black/Cloud



1103582863  
Black/Sand



1103572862  
Black/Soil



1104263881  
Black/Block



1104263882  
Black/Olive



1104265734  
Black/Dune



1103592864  
Black/Stripes

## Information

**Size:** H: 77.5 x W: 63 x D: 66 cm /  
H: 30.5 x W: 24.8 x D: 26 in

**Material:** Powder coated steel frame. Seat: 100% Recycled PET yarn made from post-consumer plastic

**Care:** Seat: 30°C gentle wash. Dry flat.

**Frame:** Wipe with a damp cloth

**Info:** Removable seat hand-woven from PET yarn made from recycled plastic that corresponds to 53 1L plastic bottles. Suitable for outdoor use. Height of crossbar under the knees: 31.5 cm / 12.4 in.

Registered design

**Country of origin:** Textile: India. Frame: Lithuania

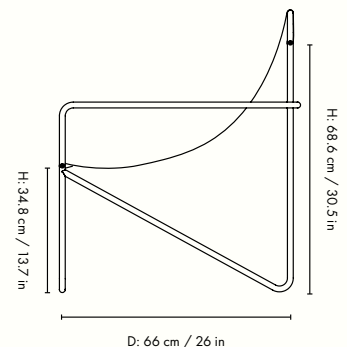
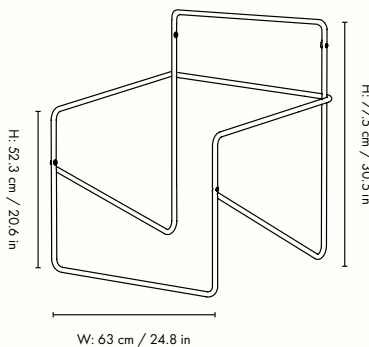
**Net weight:** 5.9 kg

**Packsize:** 2 / US:1

**Test:** EN 581-2:2015/AC:2016 Outdoor furniture

EN 581-1:2017 Outdoor furniture

## Measurements



# Desert Chair Kids

## – Cashmere and Black Frame

Our popular Desert Chair is now available in a kids version – perfect for the youngest members of your household! A Modernist chair with a graceful profile, the Desert Chair is crafted from a tubular powder-coated steel frame, and holds an interchangeable woven textile seat made entirely from recycled plastic bottles. Suitable for use both indoors and out, the lounge design invites relaxation. Just sit back and enjoy.



1104263372  
Cashmere/Sand



1104263371  
Cashmere/Soil



1104263370  
Cashmere/Shape



1104263373  
Cashmere/Stripe



1104263368  
Black/Sand



1104263367  
Black/Soil



1104263366  
Black/Shape



1104263369  
Black/Stripe

### Information

**Size:** H: 55.5 x W: 45 x D: 47.5 cm /

H: 21.9 x W: 17.7 x D: 18.7 in

**Material:** Powder coated steel frame. Seat: 100% Recycled PET yarn made from post-consumer plastic

**Care:** Seat: 30°C gentle wash. Dry flat.

**Frame:** Wipe with a damp cloth

**Info:** Removable seat hand-woven PET yarn made from recycled plastic that corresponds to 27 1L plastic bottles. Suitable for outdoor use.

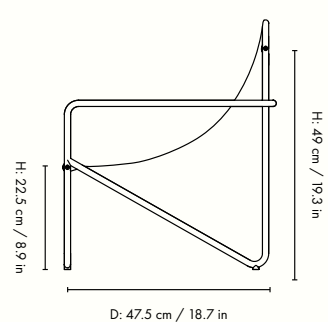
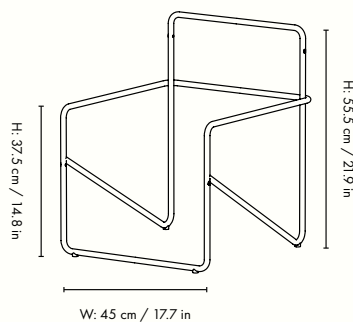
Registered design

**Country of origin:** Textile: India. Frame: Lithuania

**Net weight:** 2.5 kg

**Packsize:** 1 / US: 1

### Measurements



# Desert Cushion

Made entirely from recycled, post-consumer plastic that has been spun into PET yarn, the Desert Cushion is perfectly adapted to outdoor living. Extremely durable with a texture that recalls virgin wool, this narrow cushion fits comfortably in the backrest or seat of the Desert Lounge Chair, but can just as easily be used on its own.



1104263849  
Off-white



1104263848  
Sand



1104263847  
Olive



1104263850  
Sugar Kelp

## Information

**Size:** H: 28 x W: 53 cm / H: 11 x W: 20.9 in  
**Material:** Closed cover: 100% Hand-woven PET yarn.  
**Filling:** 100% Recycled polyester. All made from recycled post-consumer plastic  
**Care:** 30°C gentle wash  
**Info:** Hand-woven PET yarn made from recycled plastic that corresponds to 48 1L plastic bottles.  
 Suitable for outdoor use  
**Country of origin:** India  
**Net weight:** 0.8 kg  
**Packsize:** 2

## Measurements







# Desert 1-seater

Summer equals relaxation and quality time spent in serene outdoor settings. Create an inviting lounge area with the Desert Sofa, where there is plenty of room for sunbathing, reading books and entertaining friends and family. With the unpredictable weather in mind, the Desert Sofa is designed for outdoor use and is completed with cosy sofa cushions that are both water- and UV resistant with stain-repellent protection.



1104267306  
Cashmere/Dark Sand



1104265433  
Black/Dark Sand



1104267301  
Cashmere/Chocolate



1104267295  
Black/Chocolate

## Information

**Size:** W: 79 x H: 78 x D: 85 cm / W: 31.1 x H: 30.7 x D: 33.5 in

**Seat height:** 30 cm / 11.8 in

**Material:** Electro-plated steel frame with powder coating. Seat: 70% vinyl and 30% polyester mesh fabric. Inner cushion: Polyester padding and PU foam. Cover: 60% polypropylene and 40% polyester, 40% is made of recycled fibers

**Info:** Suitable for outdoor use. The electro-plating makes the steel frame resistant to rust. Water-resistant inner cushions. Water- and UV resistant cushion covers with stain-repellent protection. Height of crossbar under the knees: 30 cm / 11.8 in. Registered design

**Care:** Covers: 30°C gentle wash. Frame: Wipe with a damp cloth

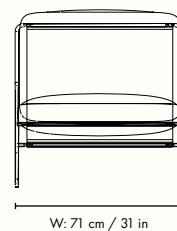
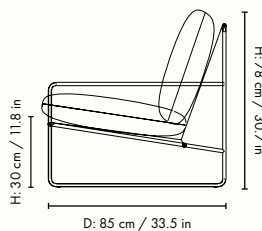
**Test:** EN 581-2:2015 and EN 581-1:2017. Outdoor furniture standards are based on use by persons weighing up to 110 kg

**Country of origin:** Cushions and seat: Italy. Frame: Sweden

**Net weight:** 11 kg

**Packsize:** 1

## Measurements



# Desert 2-seater

Summer equals relaxation and quality time spent in serene outdoor settings. Create an inviting lounge area with the Desert Sofa, where there is plenty of room for sunbathing, reading books and entertaining friends and family. With the unpredictable weather in mind, the Desert Sofa is designed for outdoor use and is completed with cosy sofa cushions that are both water- and UV resistant with stain-repellent protection.



1104267307  
Cashmere/Dark Sand



1104265434  
Black/Dark Sand



1104267303  
Cashmere/Chocolate

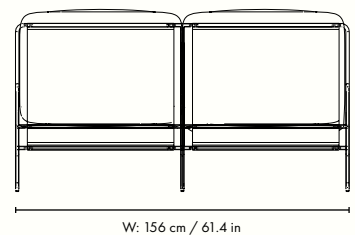
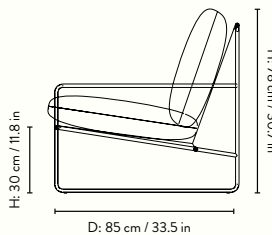
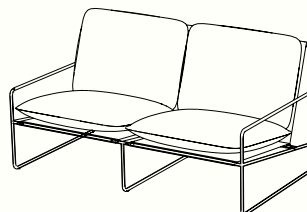


1104267297  
Black/Chocolate

## Information

**Size:** W: 156 x H: 78 x D: 85 cm / W: 61.4 x H: 30.7 x D: 33.5 in  
**Seat height:** 30 cm / 11.8 in  
**Material:** Electro-plated steel frame with powder coating. Seat: 70% vinyl and 30% polyester mesh fabric. Inner cushion: Polyester padding and PU foam. Cover: 60% polypropylene and 40% polyester, 40% is made of recycled fibers  
**Info:** Suitable for outdoor use. The electro-plating makes the steel frame resistant to rust. Water-resistant inner cushions. Water- and UV resistant cushion covers with stain-repellent protection. Height of crossbar under the knees: 30 cm / 11.8 in. Registered design  
**Care:** Covers: 30°C gentle wash. Frame: Wipe with a damp cloth  
**Test:** EN 581-2:2015 and EN 581-1:2017. Outdoor furniture standards are based on use by persons weighing up to 110 kg  
**Country of origin:** Cushions and seat: Italy. Frame: Sweden  
**Net weight:** 18 kg  
**Packsize:** 1

## Measurements



# Desert 3-seater

Summer equals relaxation and quality time spent in serene outdoor settings. Create an inviting lounge area with the Desert Sofa, where there is plenty of room for sunbathing, reading books and entertaining friends and family. With the unpredictable weather in mind, the Desert Sofa is designed for outdoor use and is completed with cosy sofa cushions that are both water- and UV resistant with stain-repellent protection.



1104267308  
Cashmere/Dark Sand



1104265435  
Black/Dark Sand



1104267305  
Cashmere/Chocolate



1104267299  
Black/Chocolate

## Information

**Size:** W: 233 x H: 78 x D: 85 cm / W: 91.7 x H: 30.7 x D: 33.5 in

**Seat height:** 30 cm / 11.8 in

**Material:** Electro-plated steel frame with powder coating. Seat: 70% vinyl and 30% polyester mesh fabric. Inner cushion: Polyester padding and PU foam. Cover: 100 % outdoor polypropylene

**Info:** Suitable for outdoor use. The electro-plating makes the steel frame resistant to rust. Water-resistant inner cushions. Water- and UV resistant cushion covers with stain-repellent protection. Height of crossbar under the knees: 30 cm / 11.8 in. Registered design

**Care:** Covers: 30°C gentle wash. Frame: Wipe with a damp cloth

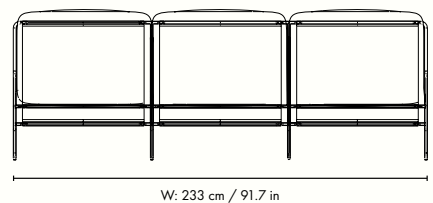
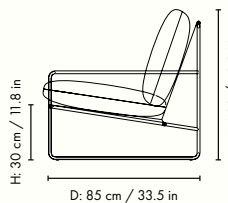
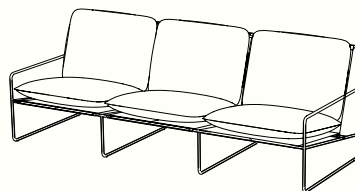
**Test:** EN 581-2:2015 and EN 581-1:2017. Outdoor furniture standards are based on use by persons weighing up to 110 kg

**Country of origin:** Cushions and seat: Italy. Frame: Sweden

**Net weight:** 22 kg

**Packsizes:** 1

## Measurements





Space to feel comfortably you