
Astrum

TABLES

Antonio Citterio



Description

Astrum is the new table collection, rectangular, round and oval, distinguished by the special "sawhorse" base-frame. The frame is made of a single die-cast aluminium support with graphite or amber painted finish that, based on the table shape, is composed of two or three elements connected by a crosspiece and forming the base-frame for rectangular tables (width cm 100 and three lengths cm 230, 280 and 340), while three elements connected at the base of a steel ring establish the support for round tables (diameter cm 165 and 200). The triangular section of the support, raised from the ground with a slight tilt, gives the structure both lightness and solidity. The tables tops are provided in various finishes of wood and marble: brushed light, grey, brushed black and smoked oak, or in natural wenge with the possibility of a central marble section; white Calacatta, black Marquinia, green Guatemala and Emperador marble, all with a glossy finish, giving the table a more elegant look. Only with the round versions, it is possible to insert a swivel tray into the wooden and marble finishes.

Technical information

Top

wood particles panel and veneered solid wood or marble (glossy polyester finish)

Legs and joints

die-cast aluminium

Upper crosspiece

steel

Lower crosspiece

aluminium extrusion

Swivel tray (LXA7V-LXA10V)

veneered multi-layered wood or marble (glossy polyester finish)

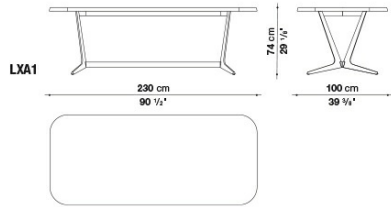
Swivel tray rotation mechanism (LXA7V-LXA10V)

HPL stratified laminate and aluminium with steel balls

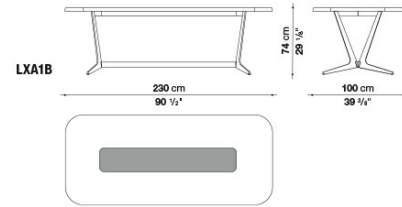
Ferrules

plastic material

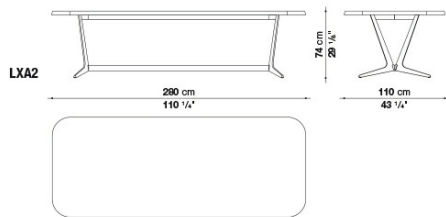
Technical drawings



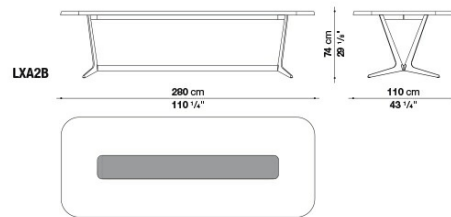
LXA1



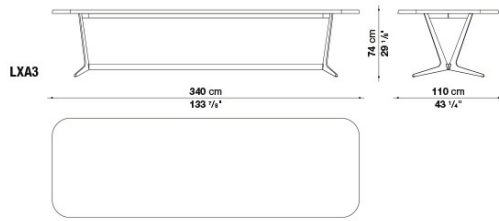
LXA1B



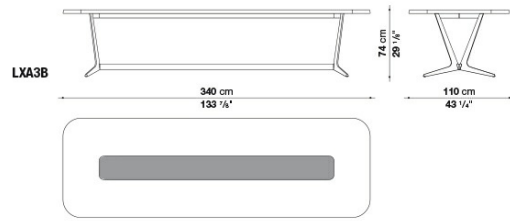
LXA2



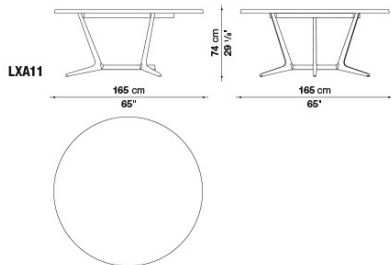
LXA2B



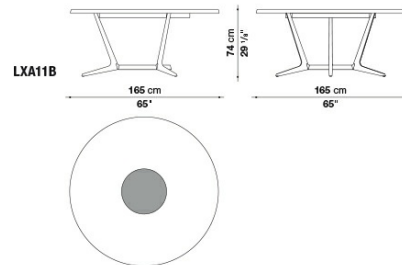
LXA3



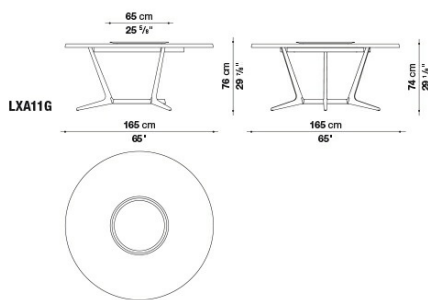
LXA3B



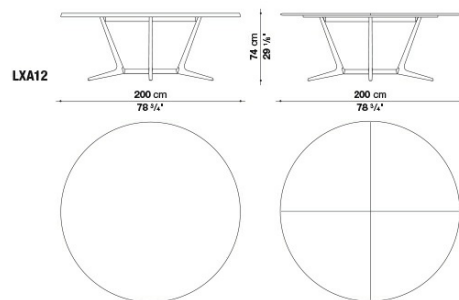
LXA11



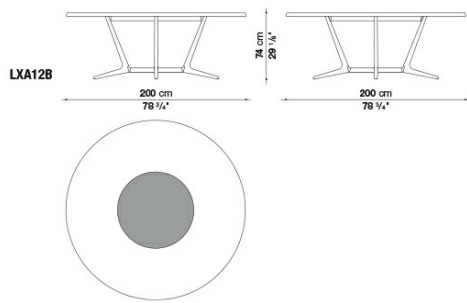
LXA11B



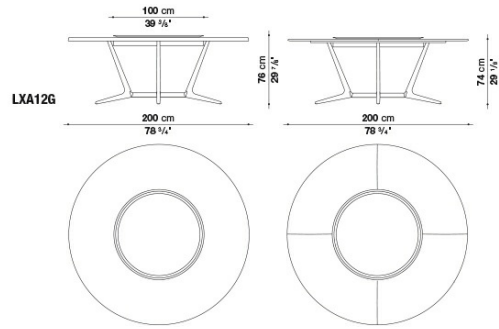
LXA11G



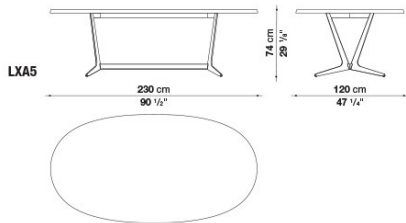
LXA12



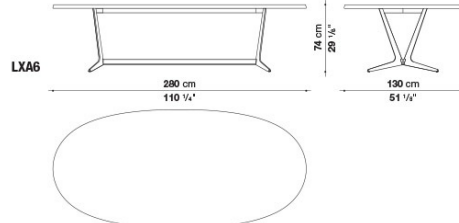
LXA12B



LXA12G



LXA5



LXA6

B&B Italia reserves the right to make technological and aesthetic improvements to its models, including changes to the sizes and materials, without notice. The technical drawings do not define the details of the product. The measurements shown are indicative and may undergo changes. In particular, the dimensions relevant to the padded parts are subject to usage tolerances over time caused by the normal adjustment of the padding. For the specific information, please contact the dealer closest to you.