
Oskar

TABLES

Vincent Van Duysen



Description

With the Oskar table, Vincent Van Duysen embraces the more architectural tradition of furniture design, both considering the experience of the masters and presenting its own distinctive piece that can dialogue with the space around it. In its most iconic version, the top in cathedral glass with irregular surface and light green colour perfectly matches the lacquered legs in glossy emerald green. Oskar is available in three sizes: two rectangular and one square.

Technical information

Top:

wood particles panel and veneered solid wood: grey oak, brushed light oak, brushed black oak, smoked oak, MDF wood fibre panel satin painted, glossy painted, green cathedral glass, Carrara white marble "venatino statuarietto" (matt polyester finish) or Marquinia black marble (matt polyester finish)

Lower frame:

black chromed drawn steel

Legs (TO150L-TO200L-TO245L-TO300L):

glossy painted solid beechwood

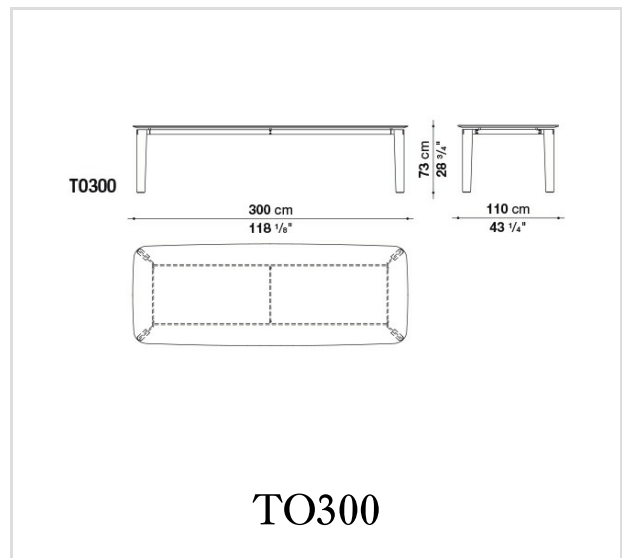
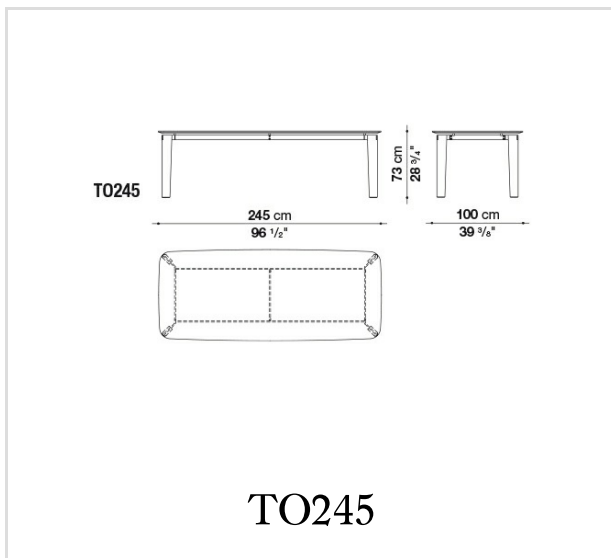
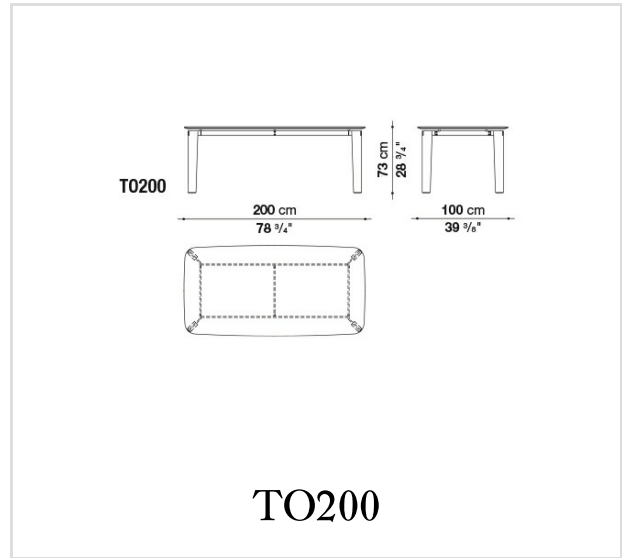
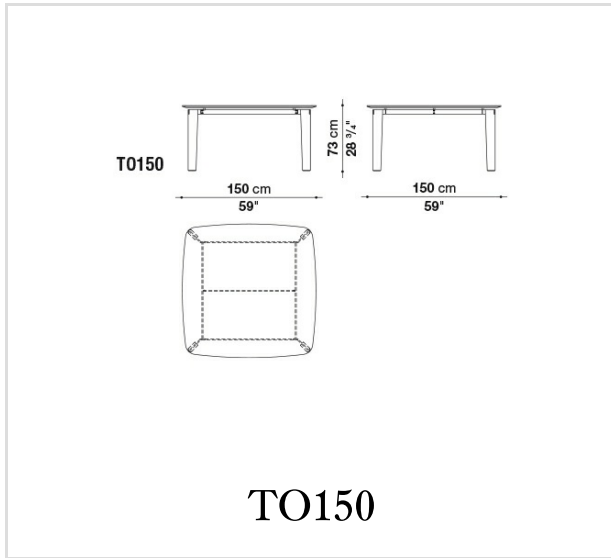
Legs (TO150E-TO200E-TO245E-TO300E):

solid wood: grey oak, brushed light oak, brushed black oak or smoked stained oak

Ferrules:

felt

Technical drawings



B&B Italia reserves the right to make technological and aesthetic improvements to its models, including changes to the sizes and materials, without notice. The technical drawings do not define the details of the product. The measurements shown are indicative and may undergo changes. In particular, the dimensions relevant to the padded parts are subject to usage tolerances over time caused by the normal adjustment of the padding. For the specific information, please contact the dealer closest to you.